

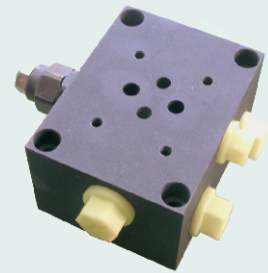


**Hidro  
Pnevmo  
Tehnika**


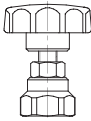
3, Vojeli St., Kazanlak, Bulgaria  
Tel.: +359 431/ 62 228  
Fax : +359 431/ 62 019  
e-mail : info@hpt-bg.com  
www.hpt-bg.com

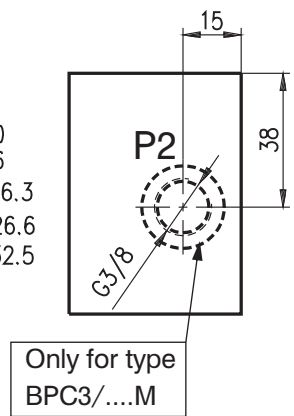
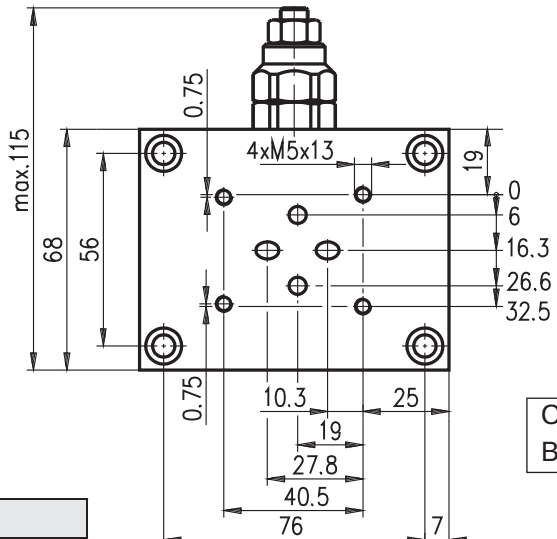
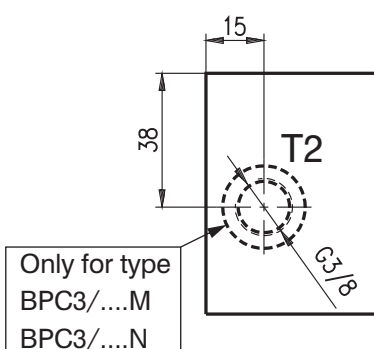
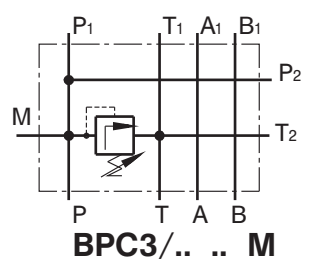
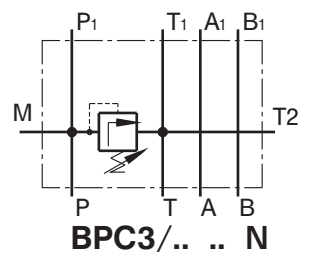
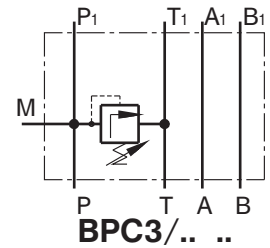
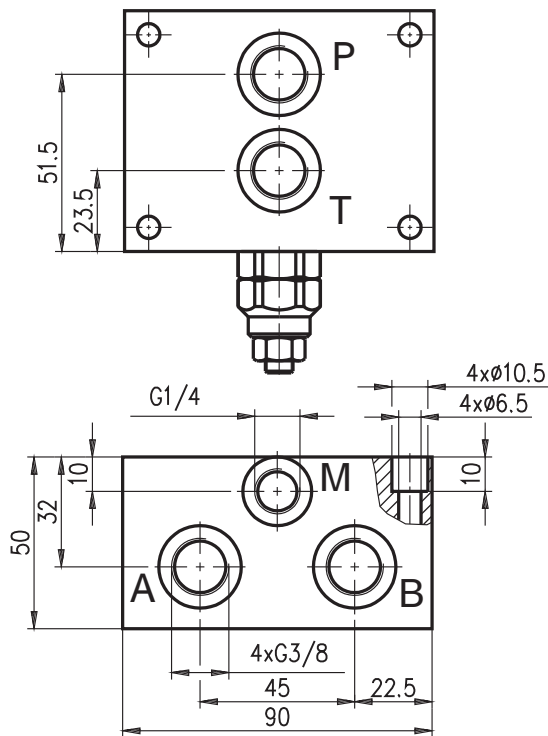
## VALVE BLOCK

### BPC3/ .. .. .



All performances and calibration are carried out by using hydraulic oil with viscosity approx. 46 cSt at 50 °C  
Temperature range: -20 °C...+80 °C.  
Filtration absolute: 25 µm

Code	Adjustments
<b>A</b>	Leakproof hex. socket screw 
<b>B</b>	Handknob and locknut 

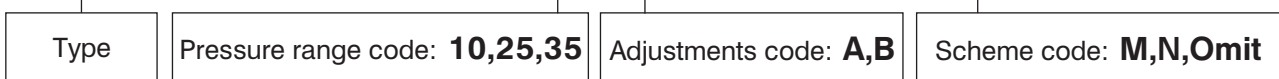


Pressure range			
Code	Standard setting bar (Q=5l/min)	Adj. pressure range bar	Colour
<b>10</b>	80	10...100	White
<b>25</b>	180	30...250	Yellow
<b>35</b>	250	70...350	Black

Type	P <sub>max.</sub> bar	Q <sub>max.</sub> L/min
<b>BPC3/.. ..</b>	350	20

### ORDERING CODE

**BPC3/ 25 A M**



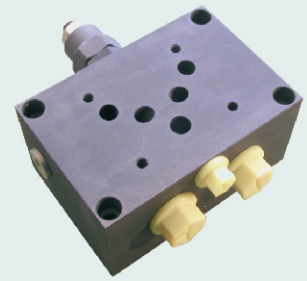


**Hidro  
Pnevmo  
Tehnika**

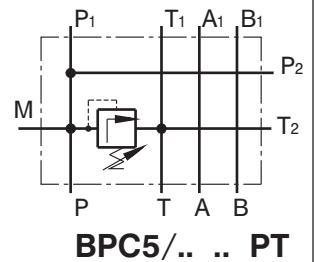
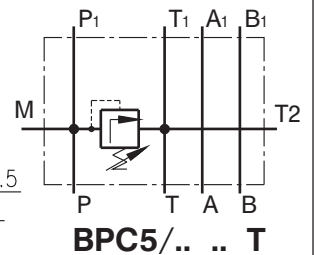
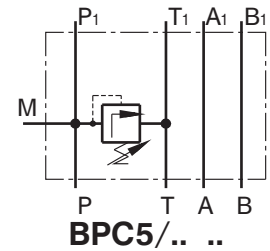
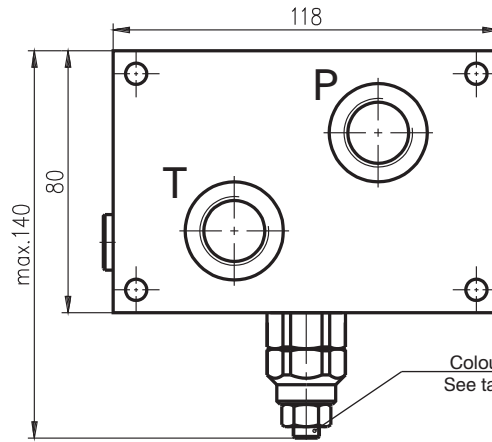
3, Vojeli St., Kazanlak, Bulgaria  
Tel.: +359 431/ 62 228  
Fax : +359 431/ 62 019  
e-mail : info@hpt-bg.com  
www.hpt-bg.com


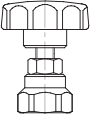
## VALVE BLOCK

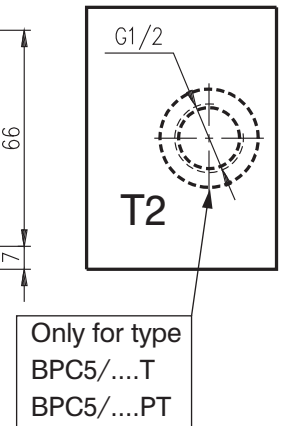
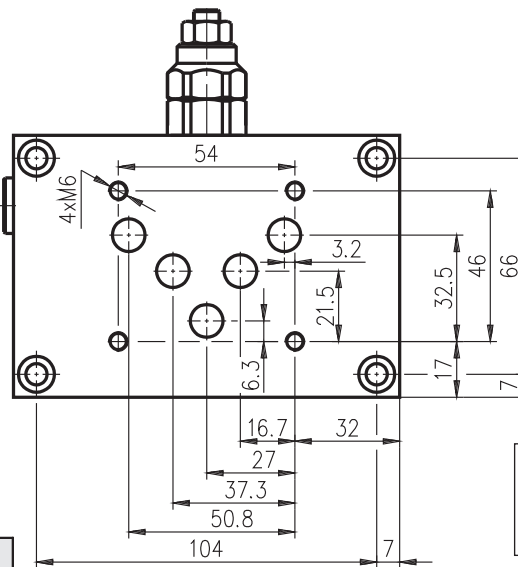
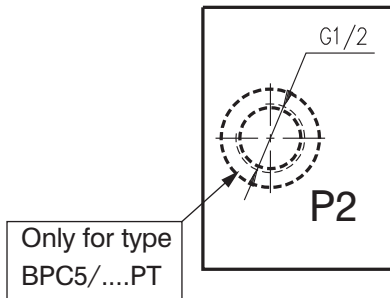
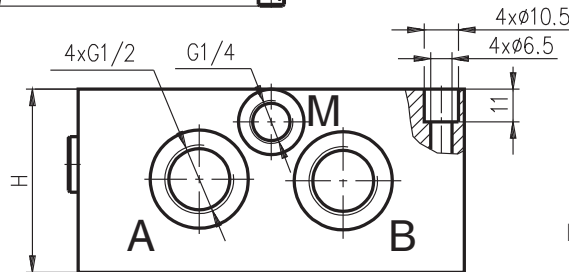
### BPC5/ .. ..



All performances and calibration are carried out by using hydraulic oil with viscosity approx. 46 cSt at 50 °C  
Temperature range: -20 °C...+80 °C.  
Filtration absolute: 20 µm



Code	Adjustments
A	Leakproof hex. socket screw 
B	Handknob and locknut 

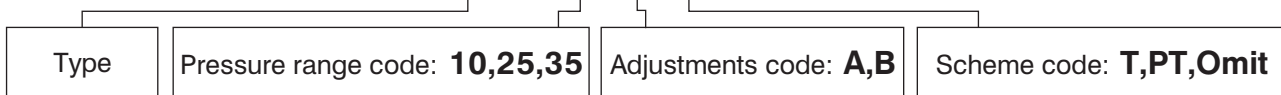


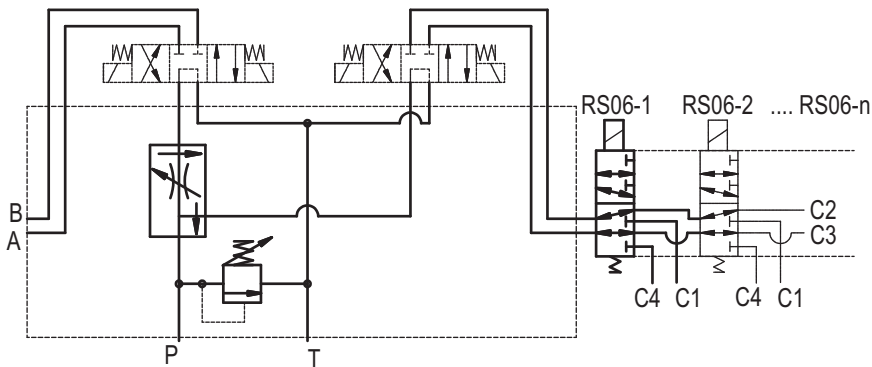
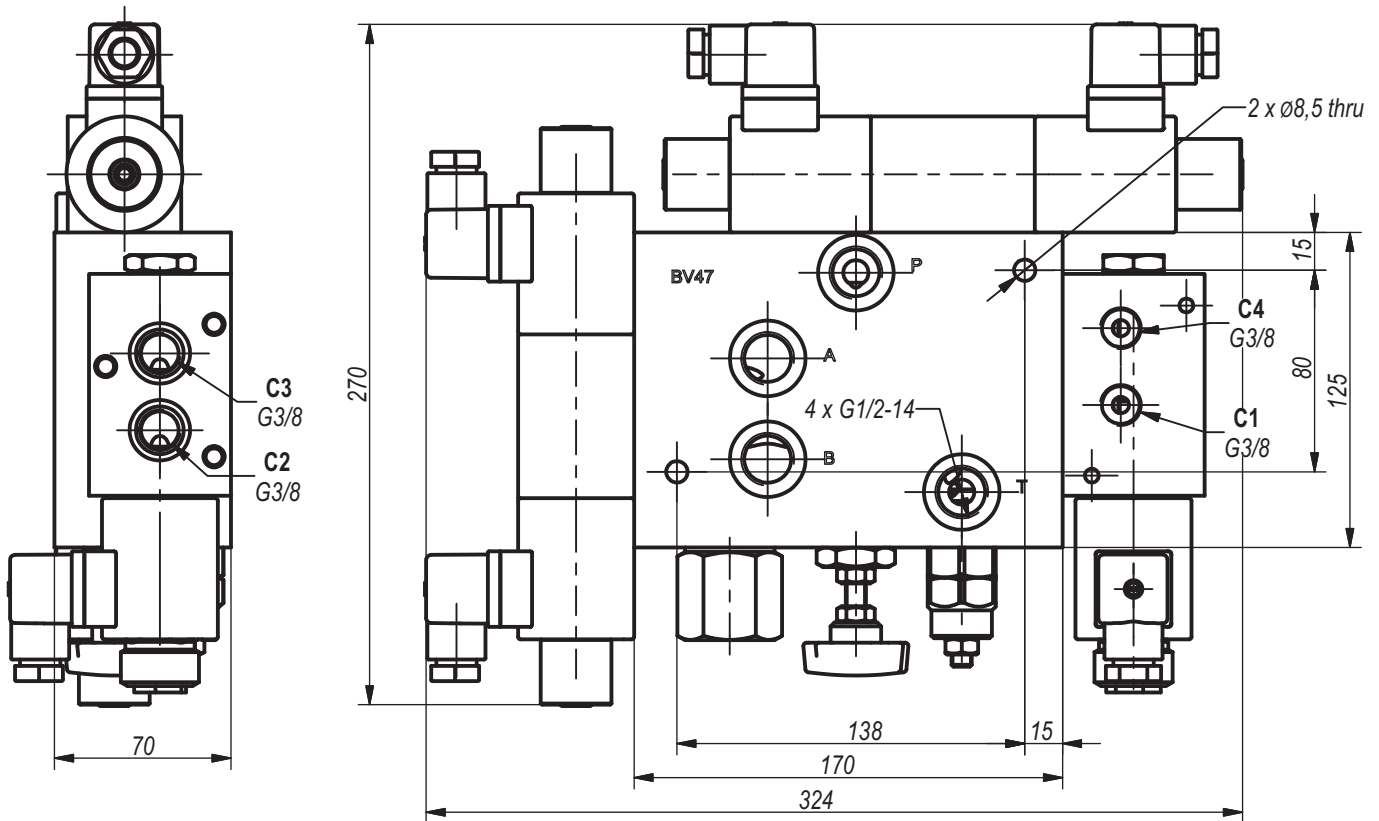
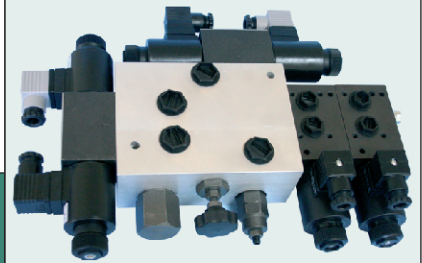
Pressure range			
Code	Standard setting bar (Q=5l/min)	Adj. pressure range bar	Colour
10	80	10...100	White
25	180	30...250	Yellow
35	250	70...350	Black

Type	P <sub>max.</sub>	Q <sub>max.</sub>	H
	bar	L/min	mm
BPC5/.. ..	350	40	58
BPC5/.. .. T	350	40	58
BPC5/.. .. PT	350	40	68

## ORDERING CODE

**BPC5/ 25 A T**



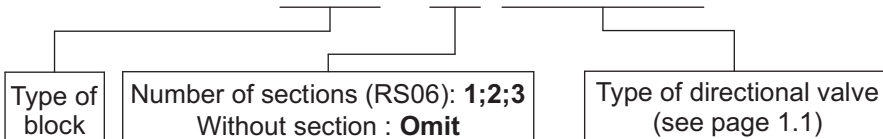


All performances and calibration are carried out by using hydraulic oil with viscosity approx 46 cSt at 50 °C  
 Temperature range: -20...+80 °C  
 Filtration absolute: 25 µm

TECHNICAL DATA		
	Measurement unit	Value
Adj. pressure range of relief valve	bar.	30...250
Nominal flow rate of P and T	L/min	40
Nominal flow rate of A and B	L/min	25
Power supply	VDC	12,24

**ORDERING CODE**

**BV 47 / 1 RS06 V3812**



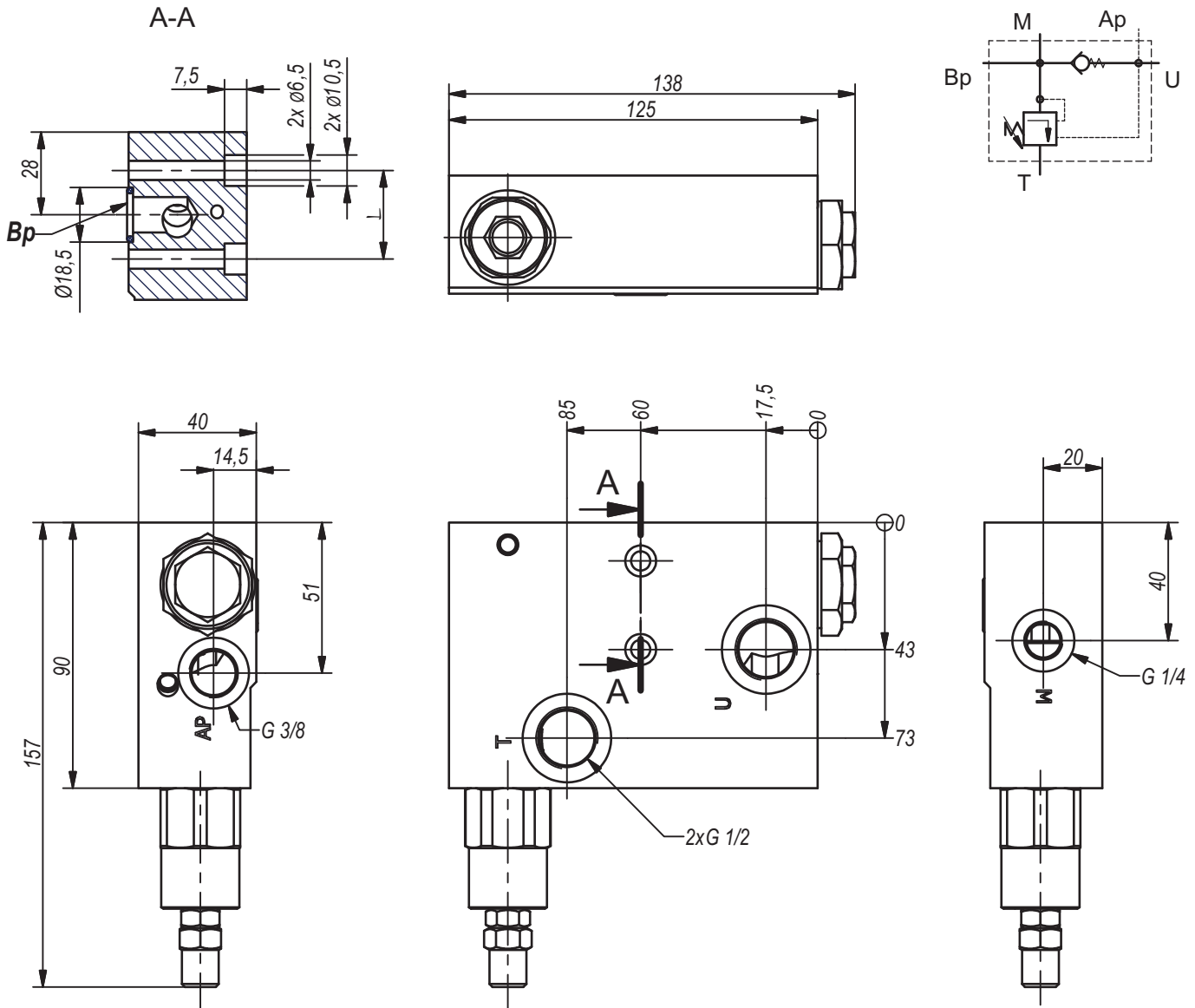
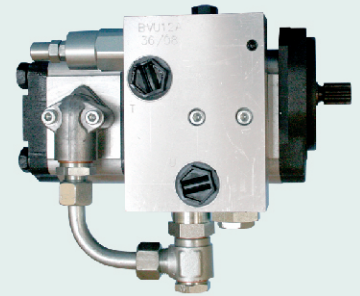


**Hidro  
Pnevmo  
Tehnika**

3, Vojeli St., Kazanlak, Bulgaria  
Tel.: +359 431/ 62 228  
Fax : +359 431/ 62 019  
e-mail : info@hpt-bg.com  
www.hpt-bg.com

## TWO PUMP HI-LOW UNLOADING VALVE

### BVU 12.



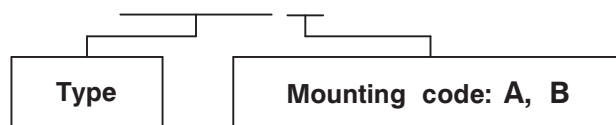
TECHNICAL DATA			
		at port Ap	at port Bp
Max working pressure	bar	210	80
Maximum flow rate	L/min	15	45
Adj. pressure range	bar	20...80	

MOUNTING CODE	
	L [mm]
BVU12 A	30
BVU12 B	40

All performances and calibration are carried out by using hydraulic oil with viscosity approx 46 cSt at 50 °C  
Temperature range: -20...+80 °C  
Filtration absolute: 25 µm

### ORDERING CODE

**BVU12 A**



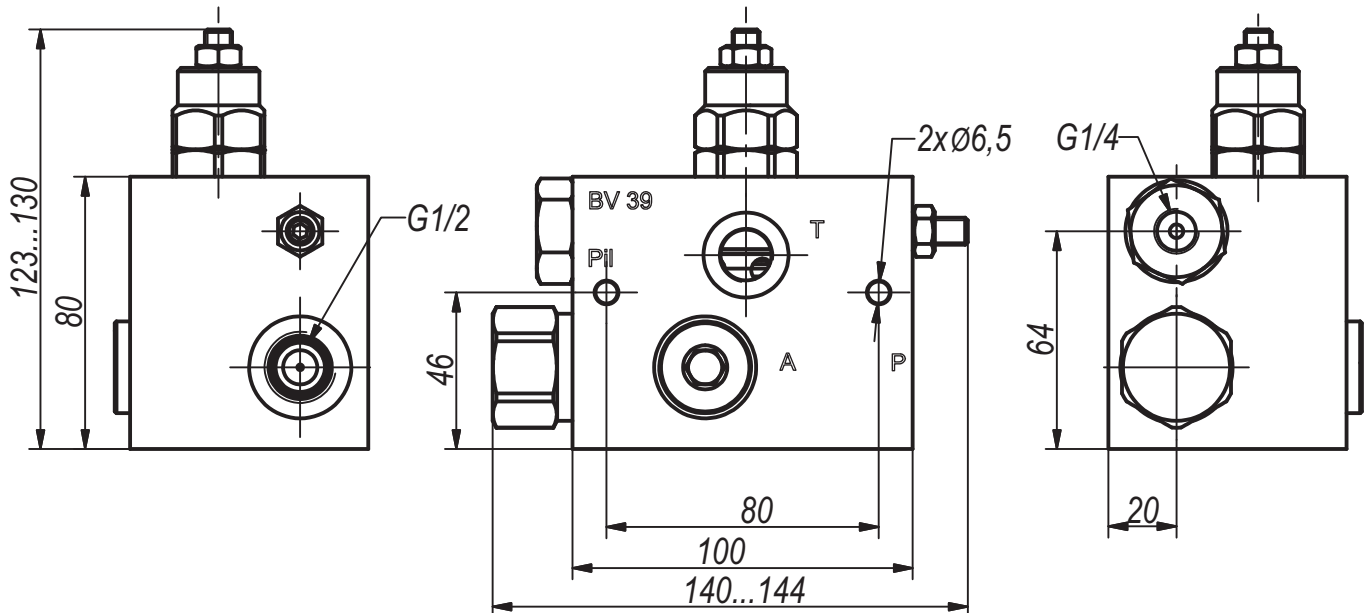
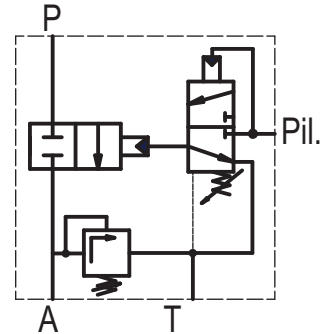
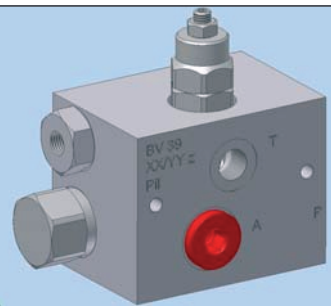


**Hidro  
Pnevmo  
Tehnika**

3, Vojeli St., Kazanlak, Bulgaria  
Tel.: +359 431/ 62 228  
Fax : +359 431/ 62 019  
e-mail : info@hpt-bg.com  
www.hpt-bg.com

## VALVE BLOCK

### BV 39



#### TECHNICAL DATA

	Measurement unit	Value
Nom. pressure	bar.	250
Max. flow through relief valve	L/min	80
Max. flow through main valve	L/min	160
Adj. pressure range relief valve	bar	160

All performances and calibration are carried out by using hydraulic oil with viscosity approx 46 cSt at 50 °C  
Temperature range: -20...+80 °C  
Filtration absolute: 25 µm

#### ORDERING CODE

**BV39**

Type

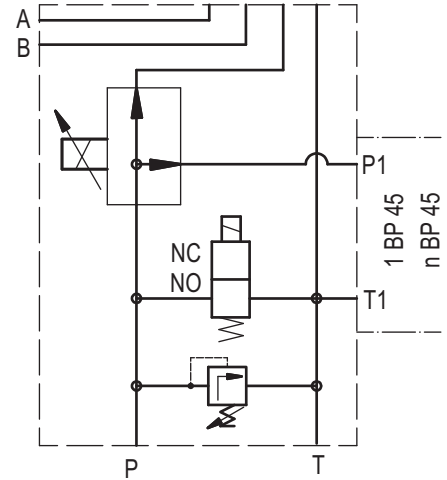
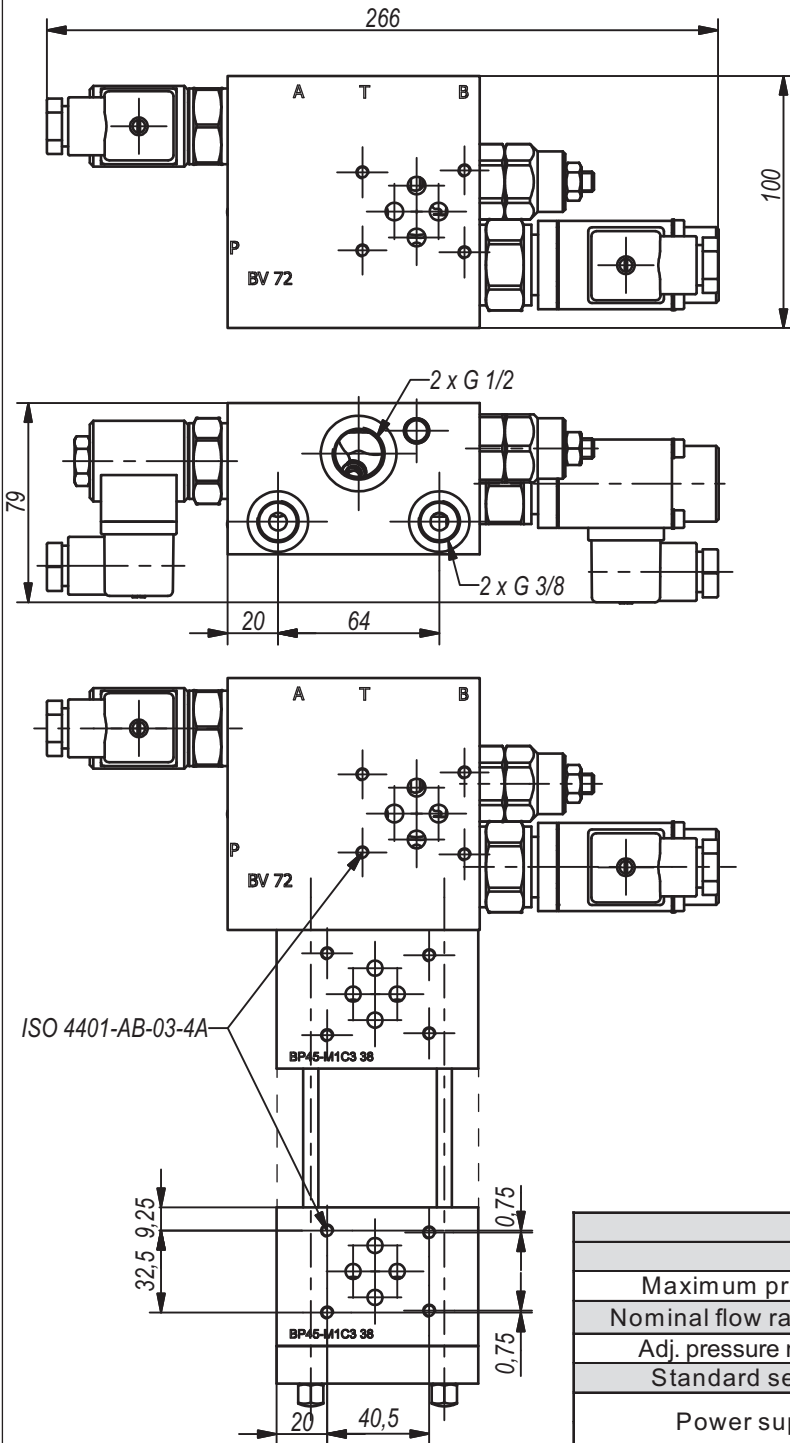
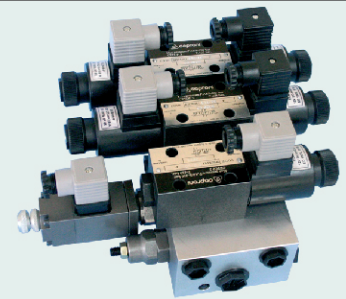


**Hidro  
Pnevmo  
Tehnika**

3, Vojeli St., Kazanlak, Bulgaria  
Tel.: +359 431/ 62 228  
Fax : +359 431/ 62 019  
e-mail : info@hpt-bg.com  
www.hpt-bg.com

## VALVE BLOCK

# BV 72- ... BP45-M1C3/38



All performances and calibration are carried out by using hydraulic oil with viscosity approx 46 cSt at 50 °C  
Temperature range: -20...+80 °C  
Filtration absolute: 25 µm

### TECHNICAL DATA

	Measurement unit	Value
Maximum pressure	bar.	250
Nominal flow rate of "P"	L/min	60
Adj. pressure range	bar.	30 ... 250
Standard settings	L/min	180
Power supply	VAC	110,220
	VDC	12,24

## ORDERING CODE

**BV 72- . BP45-M1C3/38 NC**

Type

Number of sections: **2,3,4**  
One section: **Omit**

Type of block

Port threads G: **38**

Solenoid valves  
**NC** - normal close  
**NO** - normal open