

APPLICATION

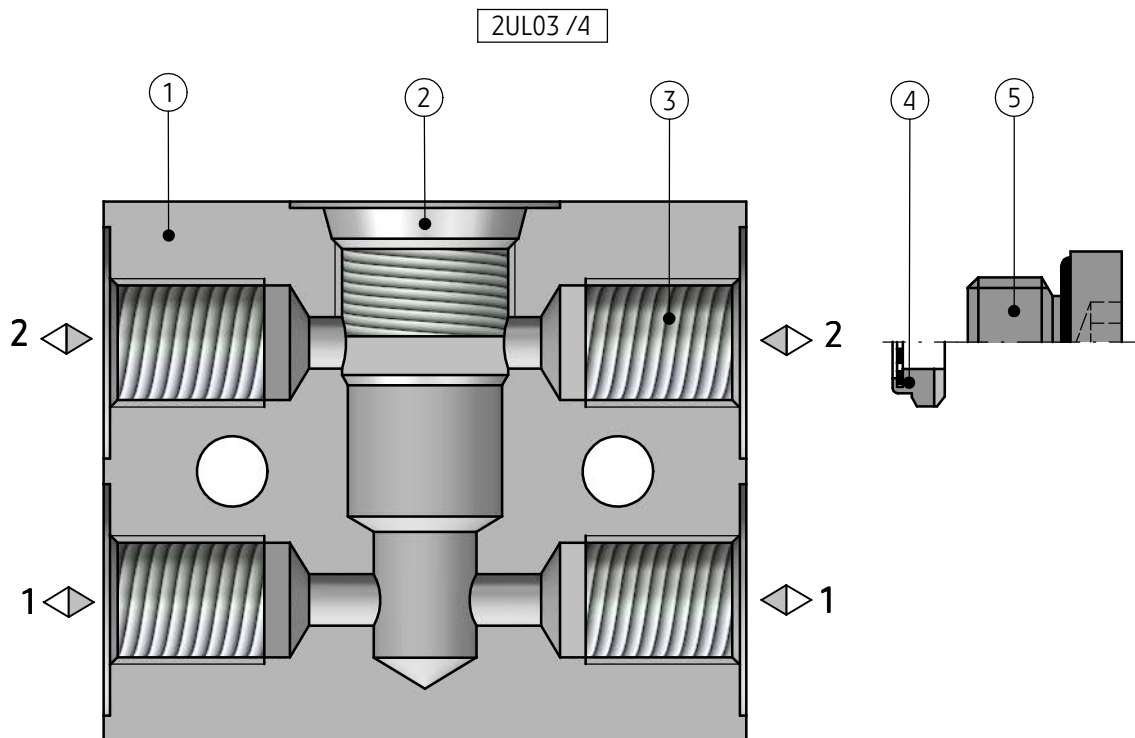
Plates type **2UL03/4** with thread connections are used to mount cartridge valves **nominal size 3 (NS3)** produced by **PONAR-WADOWICE S.A.**



DESCRIPTION OF OPERATION

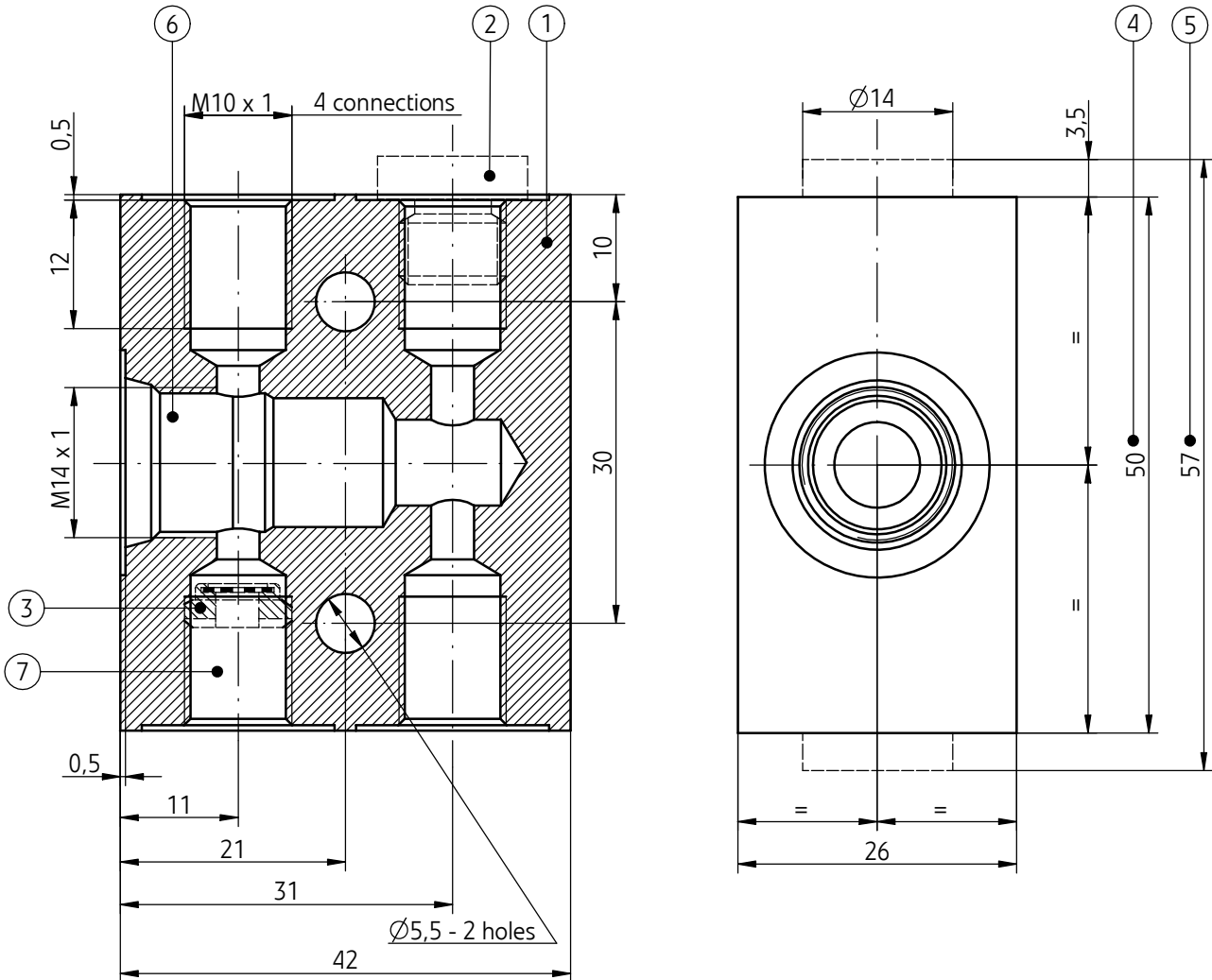
Plate type **2UL03/4** allows to mount into thread connections cartridge valves (pressure valve, directional control valve) **nominal size 3 (NS3)** by means of the connection (2) of the element in the

housing (1) and connections of pipelines (3). The plate can be also equipped (upon request) with mesh filters (4) or plugs (5) fitted in the connections.



OVERALL AND CONNECTION DIMENSIONS

Plate type 2UL03/4



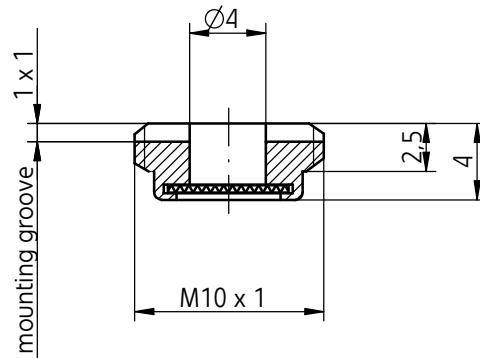
- 1 - Housing
- 2 - Plug* VSCH- M10 x 1/WD (M10 x 1)
- 3 - Mesh filter* WS7-1-25S
- 4 - Dimension of plate without plugs
- 5, 6 - Dimension of plate equipped with plugs
- 7 - Connection of the element **nominal size 3 (NS3)**
(directional control valve or pressure valve)
- 8 - Connection of pipelines M10 x 1

(*) - components must be ordered separately

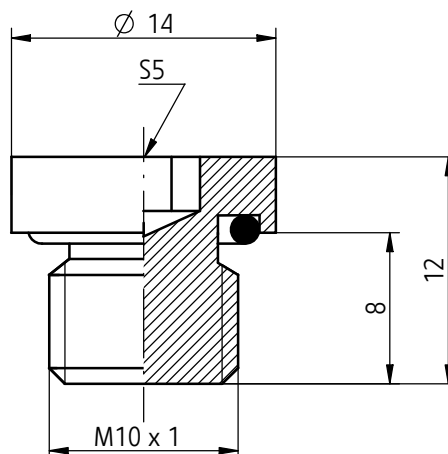
OVERALL AND CONNECTION DIMENSIONS

Accessories

Mesh filter type **WS7-1-25S** (degree of filtration **25 µm**)



Plug type **VSCH- M10 x 1/WD** (with sealing)



HOW TO ORDER

The plate type **2UL03/4** should be ordered according to the type designation including the data on page 2.
Mesh filters and plugs are accessories and should be ordered separately.

Coding example of plate with accessories:

Plate **2UL03/4** + mesh filter **WS-1-25S** - ...pcs + plug **VSCH- M10 x 1/WD** - ...pcs

PONAR Wadowice S.A.
ul. Wojska Polskiego 29
34-100 Wadowice
tel. +48 33 488 29 00
fax. +48 33 488 21 03
www.ponar-wadowice.pl

