

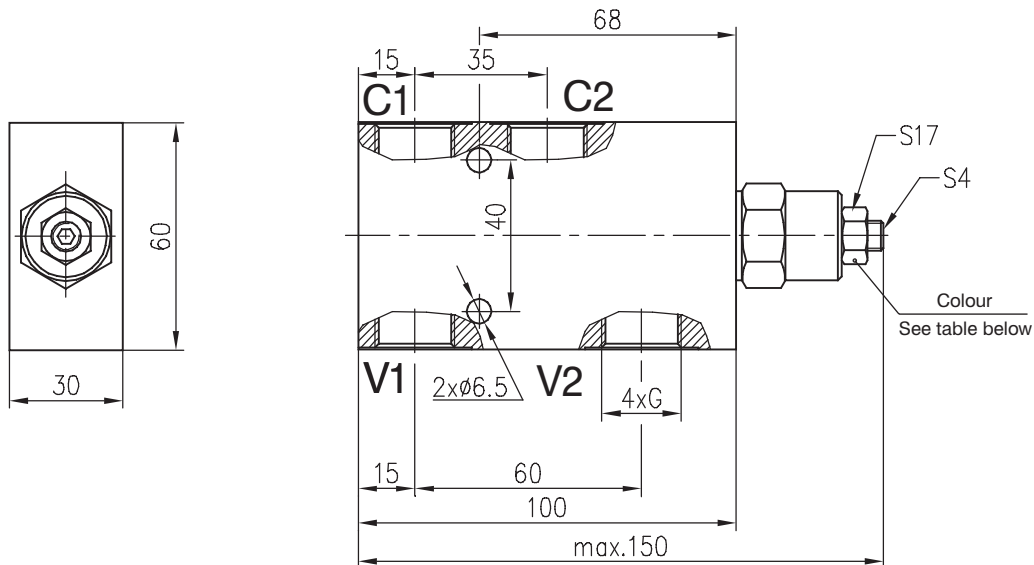
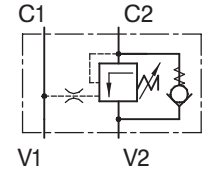
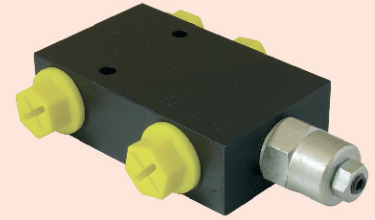


**Hidro
Pnevmo
Tehnika**

3, Vojeli St., Kazanlak, Bulgaria
Tel.: +359 431/ 62 228
Fax : +359 431/ 62 019
e-mail : info@hpt-bg.com
www.hpt-bg.com

IN LINE SINGLE OVERCENTER VALVE

OWC/SE-../..



Type	Max.flow	Pilot ratio	G
	L/min		
OWC/SE-38/..	35	4.26:1	3/8
OWC/SE-12/..	50	4.26:1	1/2

Pressure range			
Code	Standard setting bar (Q=5l/min)	Adj. pressure range bar	Colour
25	100	60...250	White
35	250	100...350	Yellow

All performances and calibrations are carried out by using hydraulic oil with viscosity approx. 46 cSt at 50 °C. Temperature range:-20 °C...+80 °C. Filtration absolute: 25 µm

ORDERING CODE

OWC/SE-38/25

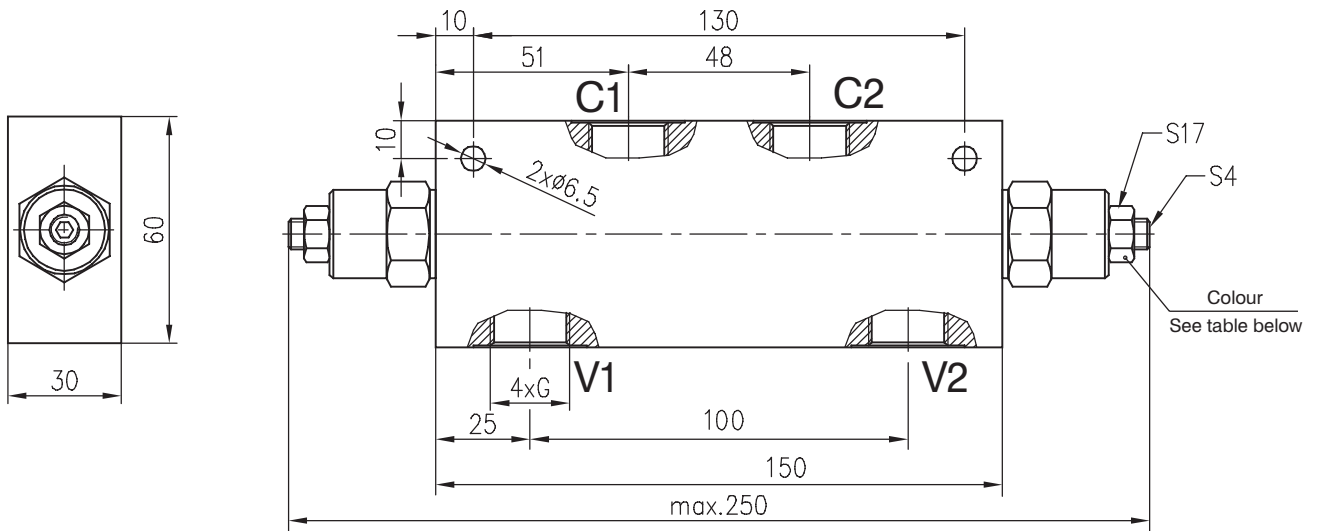
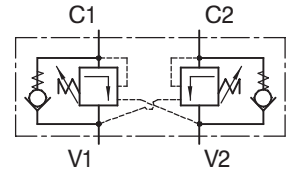
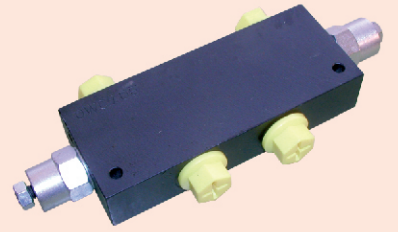
Type

Port threads G: **38,12**

Pressure range code: **25,35**

**IN LINE DUAL
OVERCENTER VALVE**

OWC/DE-../..

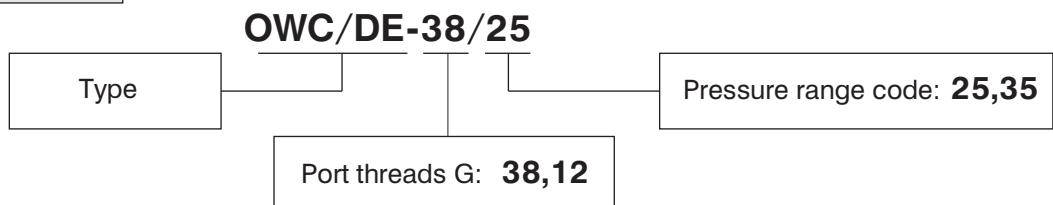


Type	Max.flow	Pilot ratio	G
	L/min		
OWC/DE-38/..	35	4.26:1	3/8
OWC/DE-12/..	50	4.26:1	1/2

Pressure range			
Code	Standard setting bar (Q=5l/min)	Adj. pressure range bar	Colour
25	100	60...250	White
35	250	100...350	Yellow

All performances and calibrations are carried out by using hydraulic oil with viscosity approx. 46 cSt at 50 °C. Temperature range:-20 °C...+80 °C. Filtration absolute: 25 µm

ORDERING CODE



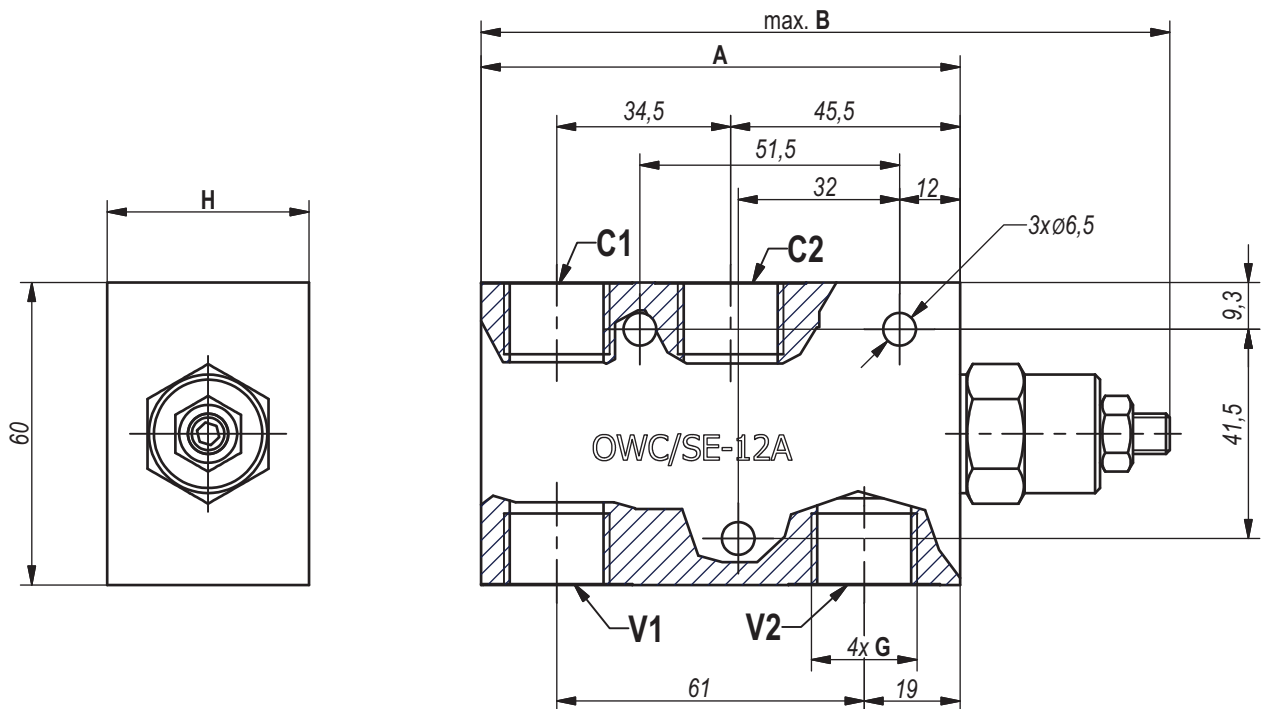
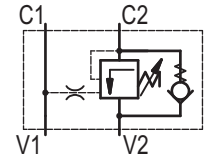
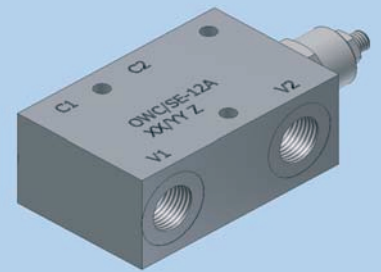


**Hidro
Pnevmo
Tehnika**

3, Vojeli St., Kazanlak, Bulgaria
Tel.: +359 431/ 62 228
Fax : +359 431/ 62 019
e-mail : info@hpt-bg.com
www.hpt-bg.com

IN LINE SINGLE OVERCENTER VALVE

OWC/SE-12A

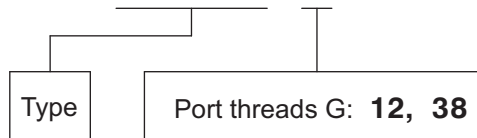


Type	Adjustment range	Q nom. L/min.	A mm	B mm	G G "	H mm
	bar.					
OWC/SE-38A	60 ... 250	35	90	135	3/8	30
OWC/SE-12A	60 ... 250	50	95	140	1/2	40

All performances and calibration are carried out by using hydraulic oil with viscosity approx 46 cSt at 50 °C
Temperature range: -20...+80 °C
Filtration absolute: 25 µm

ORDERING CODE

OWC/SE - .. A



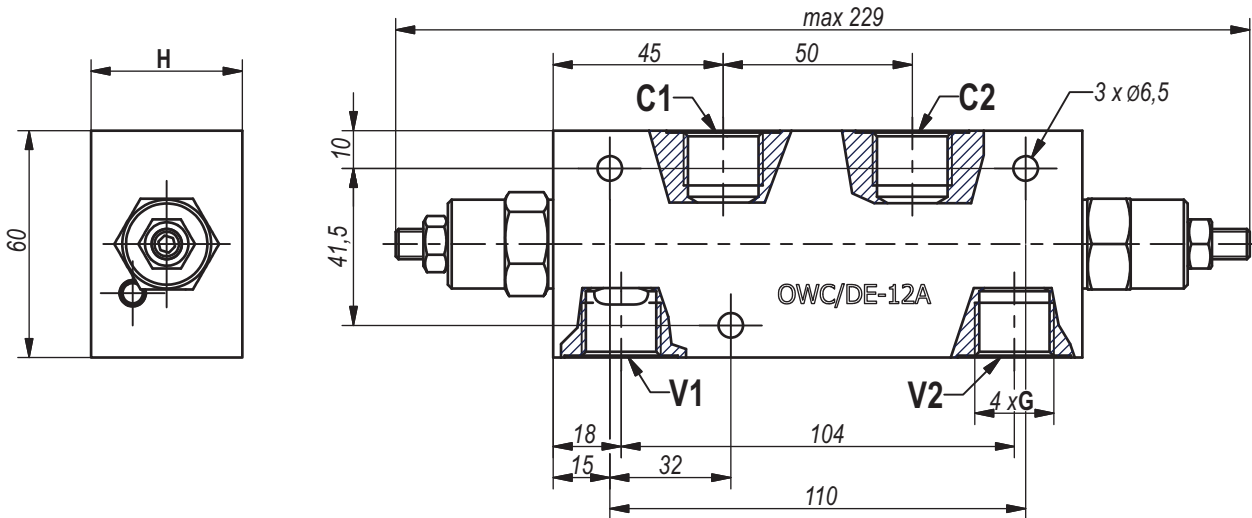
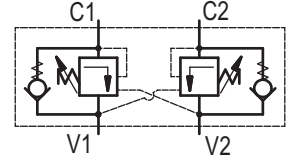
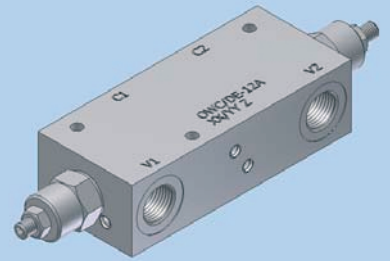


**Hidro
Pnevmo
Tehnika**

3, Vojeli St., Kazanlak, Bulgaria
Tel.: +359 431/ 62 228
Fax : +359 431/ 62 019
e-mail : info@hpt-bg.com
www.hpt-bg.com

IN LINE SINGLE OVERCENTER VALVE

OWC/DE-12A



Type	Adjustment range	Q nom.	G	H
	bar.	L/min.	G "	mm
OWC/DE-38A	60 ... 250	35	3/8	30
OWC/DE-12A	60 ... 250	50	1/2	40

All performances and calibration are carried out by using hydraulic oil with viscosity approx 46 cSt at 50 °C
Temperature range: -20...+80 °C
Filtration absolute: 25 µm

ORDERING CODE

OWC/DE - 12 A

Type

Port threads G: **12, 38**