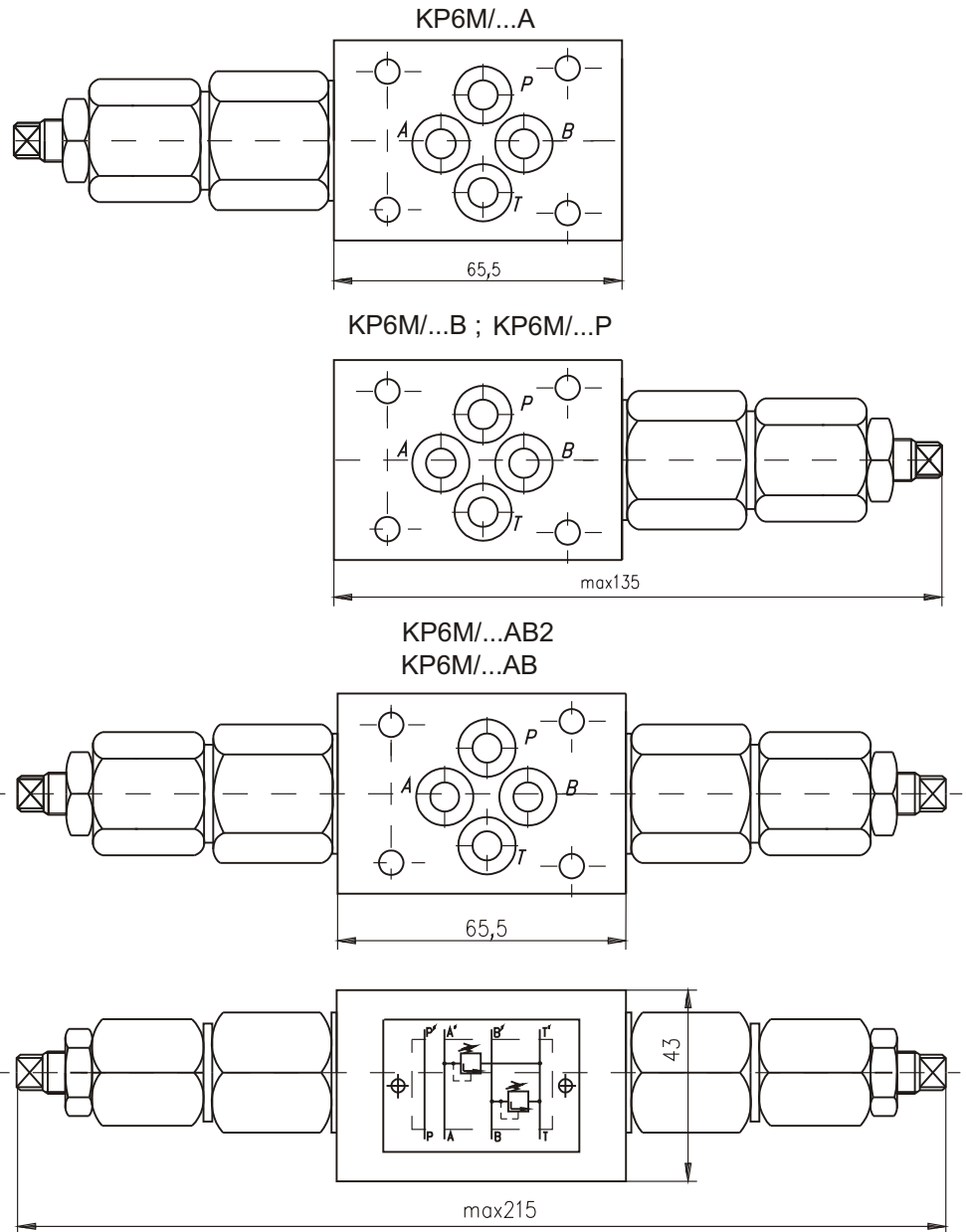


CONTENTS:	Page
Relief valves:	
KP6M/... .....	1&2
KP10M/... .....	3&4
Relief valves-prefill type:	
KPP..10/... .....	5&6
Unloading relief valves:	
KPR-10/...P .....	7
Pressure reducing valves:	
KRT6M/... .....	8&9
KR10M/...P .....	10
KRT10P/... .....	11
Check valves:	
KO6M/32-... .....	12
KO10M/32-... .....	13
KO-... .....	14
Pilot operated check valves:	
KOHU6M/32-... .....	15
KOHU10M/32-... .....	16
KOHU... .....	17
KOHU...-S .....	18
KOHU...-E... .....	19
KOHU...-SA .....	20
KOHU16P .....	21
"Overcenter" valves with internal pilot operation:	
OWC-...E/L... .....	22
OWC6M/25... .....	23
OWC10M/25... .....	24
Throttles check valves:	
DROK6M/32... .....	25
DROK10M/32... .....	26
DROK...T/32-... .....	27
DROK...T/25 .....	28
DROK16P .....	29
DROK-... .....	30
Adjustable throttles:	
DR6M/32... .....	31
DR10M/32... .....	32
DR... .....	33
Flow control valves:	
RD6/2M... .....	34&35
RD6/2P.. .....	36
RD../2... .....	37&38
RD10/3T .....	39
Hose burst check valves:	
HC870-... .....	40
Dividing and combining valves:	
KDS-... .....	41
FDC.....-... .....	42
Valve applications .....	
Hydraulic power packs .....	43&44
Hydraulic control blocks .....	45&46

DESCRIPTION

- ✓ Pressure relief valve with pilot operation.
- ✓ Adjustment of the pressure range at line A to T: KP6M/10A , KP6M/20A , KP6M/32A.
- ✓ Adjustment of the pressure range at line B to T: KP6M/10B , KP6M/20B , KP6M/32B.
- ✓ Adjustment of the pressure range at line P to T: KP6M/10P , KP6M/20P , KP6M/32P.
- ✓ Adjustment of the pressure range at line A&B to T: KP6M/10AB , KP6M/20AB , KP6M/32AB.
- ✓ Adjustment of the pressure range at line A to B&B to A: KP6M/10A , KP6M/20A , KP6M/32A.
- ✓ The pressure relief valve protects the hydraulic drives of overloading or damaging by limiting or maintaining a constant pressure. There is a possibility for the pressure range adjustment at a definite range.
- ✓ Mounting surface CETOP3 ; NG6

DIMENSIONS



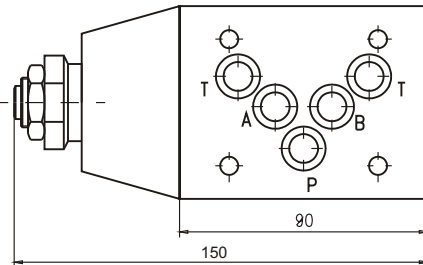


**DESCRIPTION**

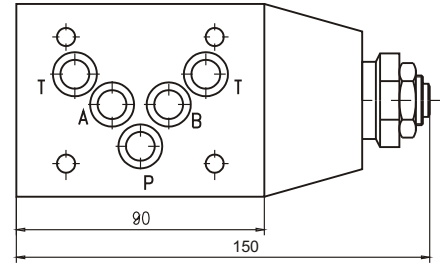
- ✓ Pressure relief valve with pilot operation.
- ✓ Adjustment of the pressure range at line A to T: KP10M/10A , KP10M/20A, KP10M/32A.
- ✓ Adjustment of the pressure range at line B to T: KP10M/10B , KP10M/20B, KP10M/32B.
- ✓ Adjustment of the pressure range at line P to T: KP10M/10P , KP10M/20P, KP10M/32P.
- ✓ Adjustment of the pressure range at line A&B to T: KP10M/10AB , KP10M/20AB , KP10M/32AB.
- ✓ Adjustment of the pressure range at line A to B&B to A: KP10M/10A , KP10M/20A , KP10M/32A.
- ✓ The pressure relief valve protects the hydraulic drives of overloading or damaging by limiting or maintaining a constant pressure. There is a possibility for the pressure range adjustment at a definite range.
- ✓ Mounting surface CETOP5 ; NG10

**DIMENSIONS**

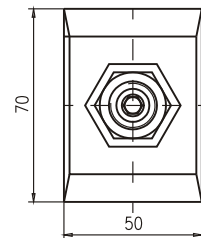
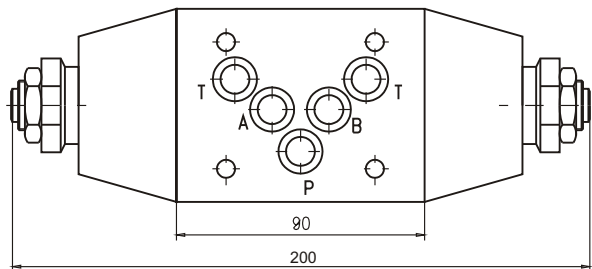
KP10M/...P  
KP10M/...A



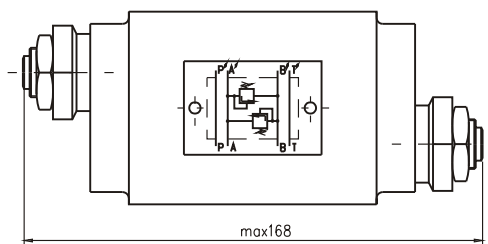
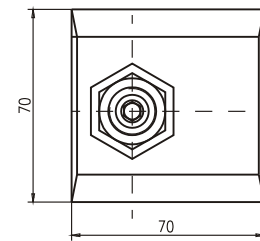
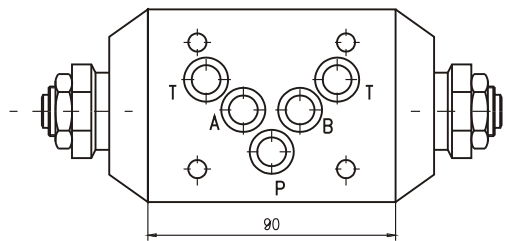
KP10M/...B



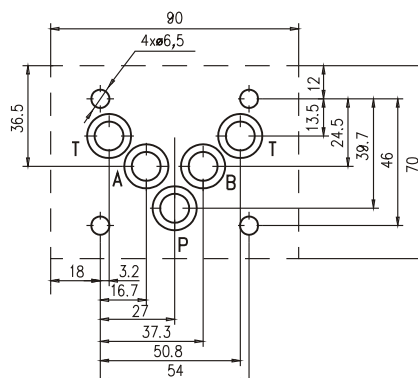
KP10M/...AB



KP10M/...AB2



**Mounting surface**

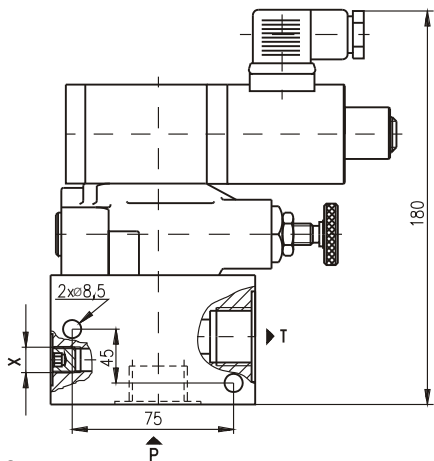
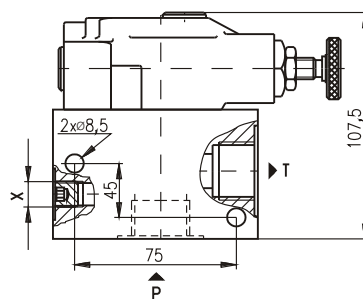
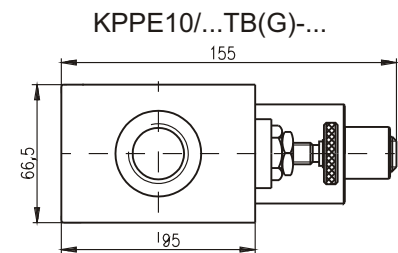
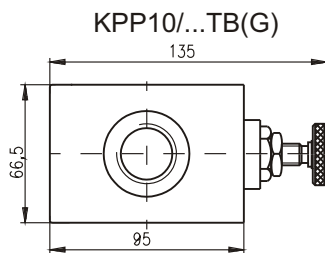
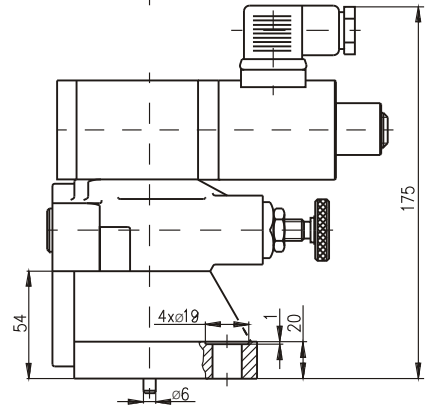
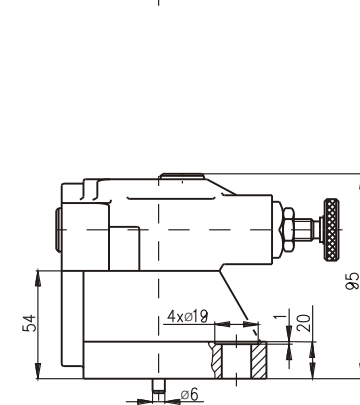
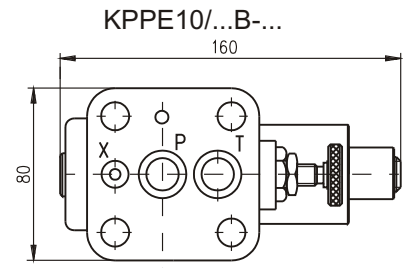
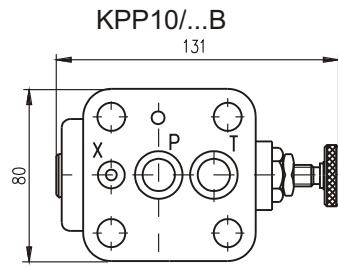
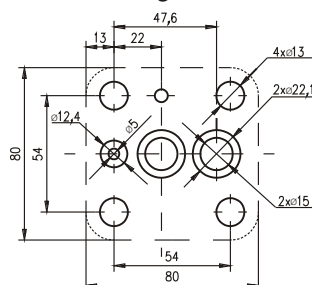


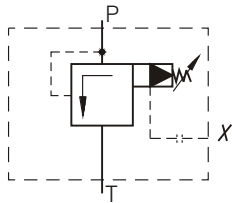


**DESCRIPTION**

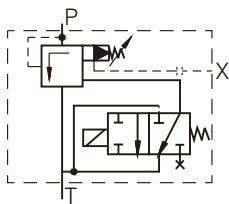
- ✓ Pressure relief valves-prefill type for plate mounting-KPP10/...B , KPPE10/...B-...
- ✓ Pressure relief valves-prefill type for pipe and plate mounting with pilot operation-KPP10/...B , KPP..10/...TB(G).
- ✓ Pressure relief valves-prefill type for pipe and plate mounting with pilot solenoid operation - KPPE10/...B-... , KPPE...10/...TB(G)-...
- ✓ The pressure relief valve protects the hydraulic drives of overloading or damaging by limiting or maintaining a constant pressure. There is a possibility for pressure range adjustment and they allow such an action even during work.

The unloading relief valve can be used when the system pressure is required to be automatically unloaded at reaching the adjusted pressure.

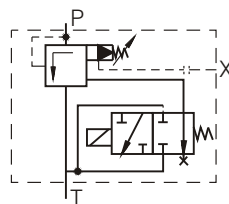
**DIMENSIONS**

**Mounting surface**


**SYMBOL**


KPP10/...B  
KPP10/...TB



KPPE10/...B-NO  
KPPE10/...TB-NO  
(normally open)



KPPE10/...B-NZ  
KPPE10/...TB-NZ  
(normally closed)

**ORDERING CODE**

**KPP** \*\*\* **10** / \*\*\* \*\*\* - \*\*\* \*\*\*

Relief valve prefill type

Type of control:

pilot operated -omit  
pilot solenoid operated -E

Nominal bore 10mm.

Rated pressure: up to 100 bar.-10  
up to 200 bar.-20  
up to 320 bar.-32

Modification: for plate mounting -B  
for pipe mounting(metric threads M27x1,5  
for P & T line and M12x1,5 for X line) -TB  
for pipe mounting(GAS threads G3/4"  
for P&T line and G1/4" for X line) -TB(G)

Type of control valve:

solenoid valve normally open -NO  
solenoid valve normally closed -NZ

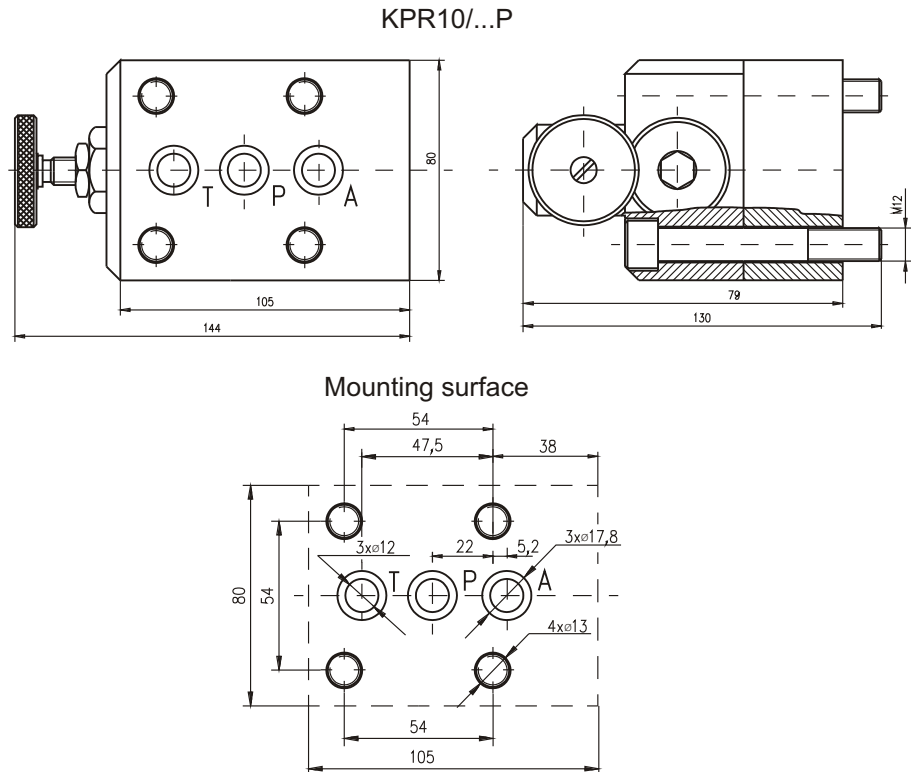
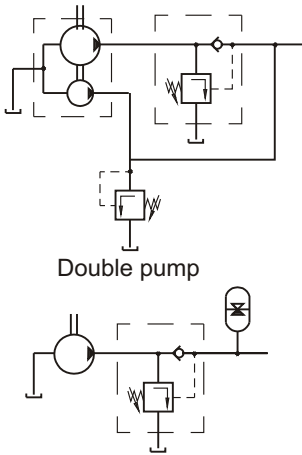
Supply voltage 12VDC -12  
24VDC -24  
110VAC -110  
220VAC -220

**TECHNICAL DATA**

Weight	KPP10/...B KPPE10/...B-... KPP10/...TB KPPE10/...TB-...	2,890 kg 4,600 kg 4,490 kg 6,200 kg
Max. pressure		320 bar
Rated flow ( $\Delta p=2,5$ bar.)		160 l/min
Adjustment of pressure range:		
KPP10/10B , KPP10/10TB(G)		4...100 bar
KPP10/20B , KPP10/20TB(G)		10...200 bar
KPP10/32B , KPP10/32TB(G)		20...320 bar
KPPE10/10B-... , KPPE10/10TB(G)-...		4...100 bar
KPPE10/20B-... , KPPE10/20TB(G)-...		10...200 bar
KPPE10/32B-... , KPPE10/32TB(G)-...		20...320 bar
Working liquid-hydraulic oils with characteristics:		
-viscosity		10...400 cSt
-degree of filtration		0,025 mm
-temperature		-20...+80°C

**DESCRIPTION**

- ✓ Unloading relief valves for plate mounting-KPR-10/...P
- ✓ Unloading relief valves are designed to switch on or switch off automatically the pump in the hydraulic system , depending on the pressure range at the pressure line (at the point after the check valve).

**DIMENSIONS**

**APPLICATIONS**

**ORDERING CODE**

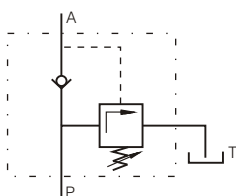
KPR	-	10	/	***	P
-----	---	----	---	-----	---

Unloading relief valve

Nominal bore 10mm.

Rated pressure:                    up to 63 bar.-6,3  
    up to 160 bar.-16

Valve position - at line P

**SYMBOL**

**TECHNICAL DATA**

Weight		5,440 kg
Max. unloading pressure	KPR-10/6,3P KPR-10/16P	63 bar 160 bar
Rated flow ( $\Delta p=2,5$ bar.)		40 l/min
Working liquid-hydraulic oils with characteristics:		
-viscosity		10...400 cSt
-degree of filtration		0,025 mm
-temperature		-20...+80°C

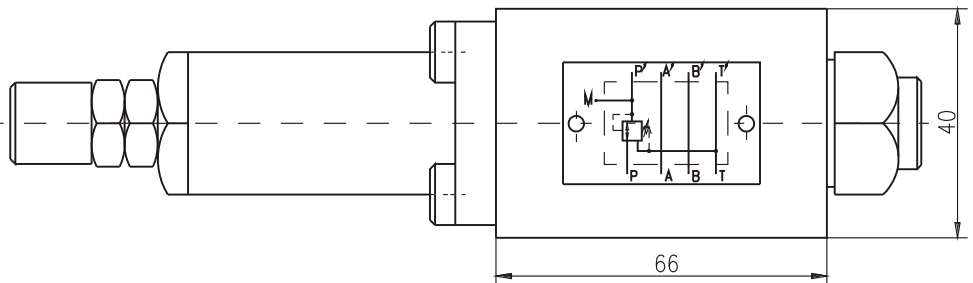
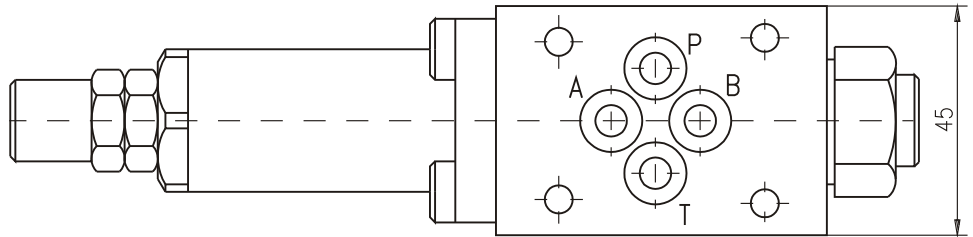


**DESCRIPTION**

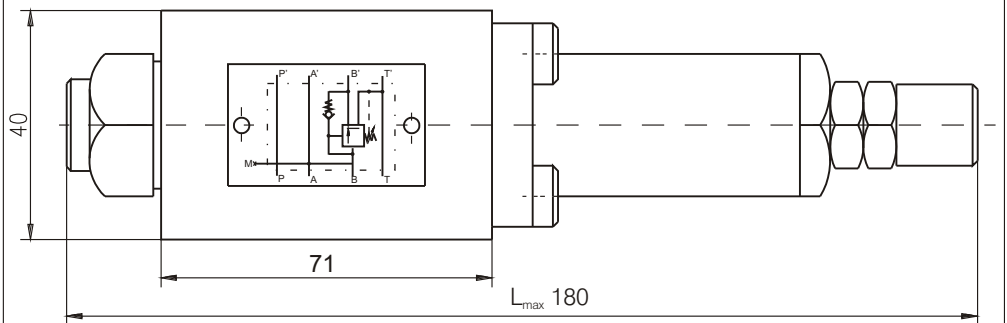
- ✓ Pressure reducing valves for modular mounting-KRT6M/...
- ✓ The pressure reducing valves are used to limit the pressure in the separate sections of the hydraulic systems where constant pressure is achieved (at element outlet) lower than the inlet pressure and independent of its changing.
- ✓ Mounting surface CETOP3 ; NG6

**DIMENSIONS**

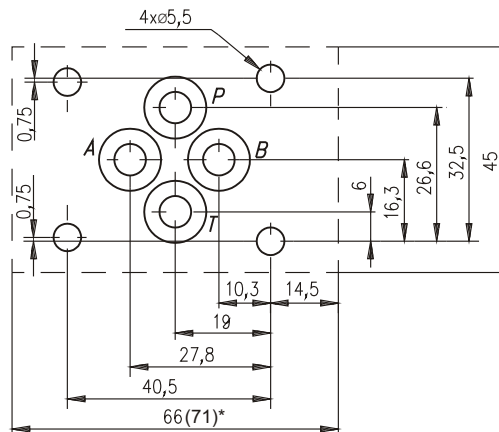
KRT6M/...P (KRT6M/...A)



KRT6M/...B



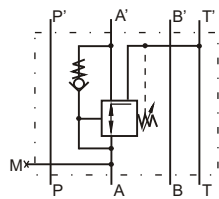
**Mounting surface**



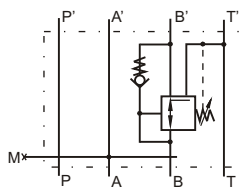
\* Only for KRT6M/...B

**SYMBOL**

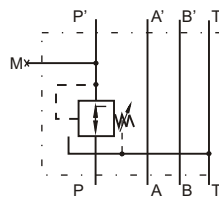
**ORDERING CODE**



KRT6M/10A



KRT6M/10B



KRT6M/...P

KRT	6	M	/	***	***
-----	---	---	---	-----	-----

Pressure reducing valve

Nominal bore 6mm.

Modular mounting

Rated pressure: up to 16 bar.-1,6  
up to 100 bar.-10

Function - at line P to P' - P  
at line A' to A - A  
at line B' to B - B

**TECHNICAL DATA**

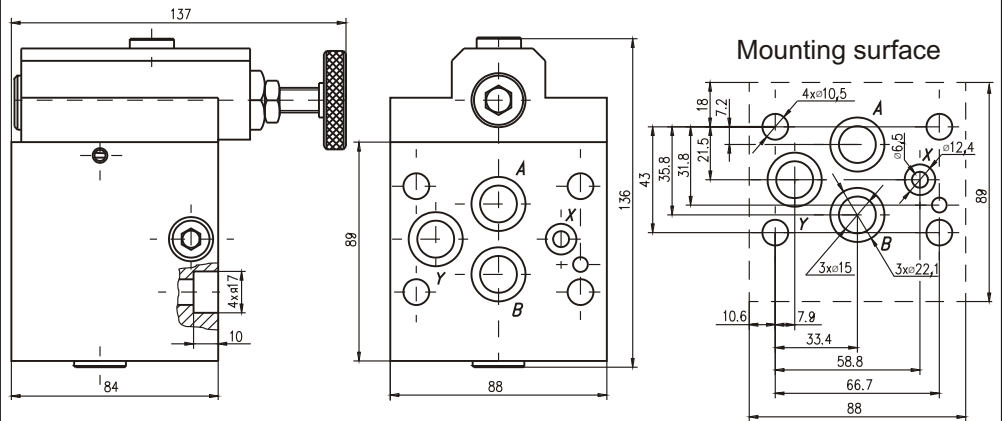
Weight	1,165 kg
Max. Pressure	100 bar
Rated flow ( $\Delta p=2,5$ bar.)	20 l/min
Adjustment of pressure reducing range:	
KRT6M/10P	Pr(P to P') 10...100 bar Pr(P to T) 20...100 bar
KRT6M/1,6P	Pr( to P') 0,8...16 bar Pr(P to T) 3...16 bar
KRT6M/10A	Pr(A' to A) 10...100 bar Pr(A to T) 20...100 bar
KRT6M/10B	Pr(B' to B) 10...100 bar Pr(B to T) 20...100 bar
Working liquid-hydraulic oils with characteristics:	
-viscosity	10...400 cSt
-degree of filtration	0,025 mm
-temperature	-20...+80°C



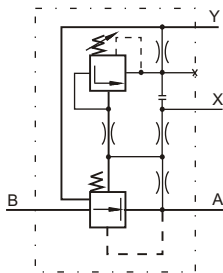
**DESCRIPTION**

✓ Pressure reducing valves for plate mounting-KRT10/...  
 ✓ The pressure reducing valves are used to limit the pressure in the separate sections of the hydraulic systems where constant pressure is achieved (at element outlet) lower than the inlet pressure and independent of its changing.

**DIMENSIONS**



**SYMBOL**



KRT10P/...

**ORDERING CODE**

**KRT 10 P / \*\*\***

Pressure reducing valve

Nominal bore 10mm.

Plate mounting

Rated pressure: up to 100 bar.-10  
 up to 200 bar.-20  
 up to 320 bar.-32

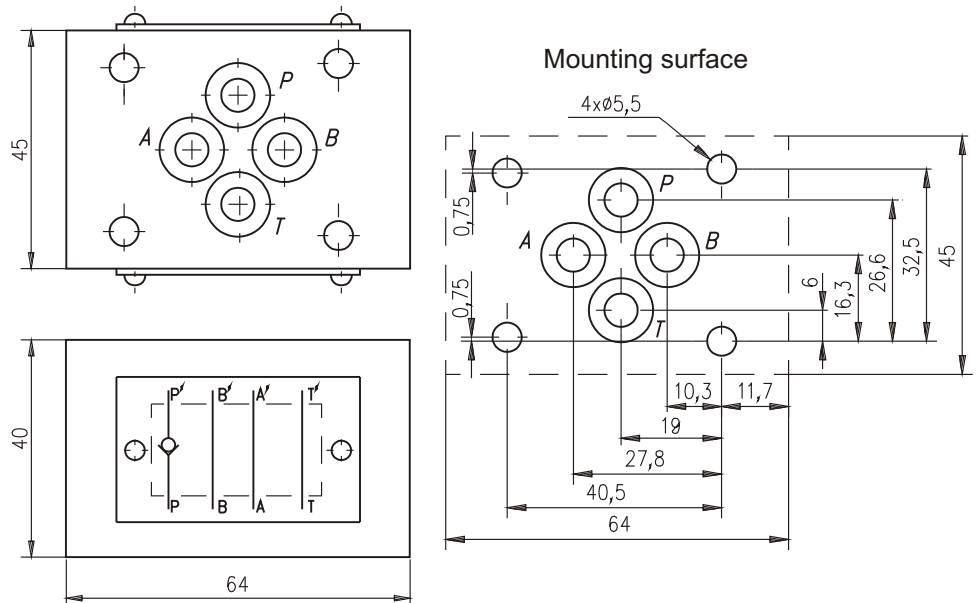
**TECHNICAL DATA**

Weight	5,470 kg
Max. Pressure	320 bar
Rated flow ( $\Delta p=2,5$ bar.)	60 l/min
Adjustment of pressure reducing range:	
KRT10P/10	Pr(A>Y) 12...100
	Pr(B>A) 8...100
KRT10P/20	Pr(A>Y) 15...200
	Pr(B>A) 8...200
KRT10P/32	Pr(A>Y) 18...320
	Pr(B>A) 8...320
Working liquid-hydraulic oils with characteristics:	
-viscosity	10...400 cSt
-degree of filtration	0,025 mm
-temperature	-20...+80°C

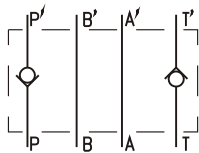
## DESCRIPTION

- ✓ Check valves for modular mounting-KO6M/32...
- ✓ Check valves give leak free closure in one direction and allow free passing in the other.
- ✓ Mounting surface CETOP3 ; NG6

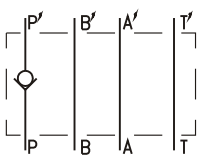
## DIMENSIONS



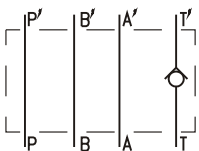
## SYMBOL



KO6M/32PT



KO6M/32P



KO6M/32T

## ORDERING CODE

**KO 6 M / 32 \*\*\***

Check valve

Nominal bore 6mm.

Modular mounting

Rated pressure: up to 320 bar. **-32**

Function  
 - at line P to P' - P  
 - at line T' to T - T  
 - at line P to P' & T' to T - PT

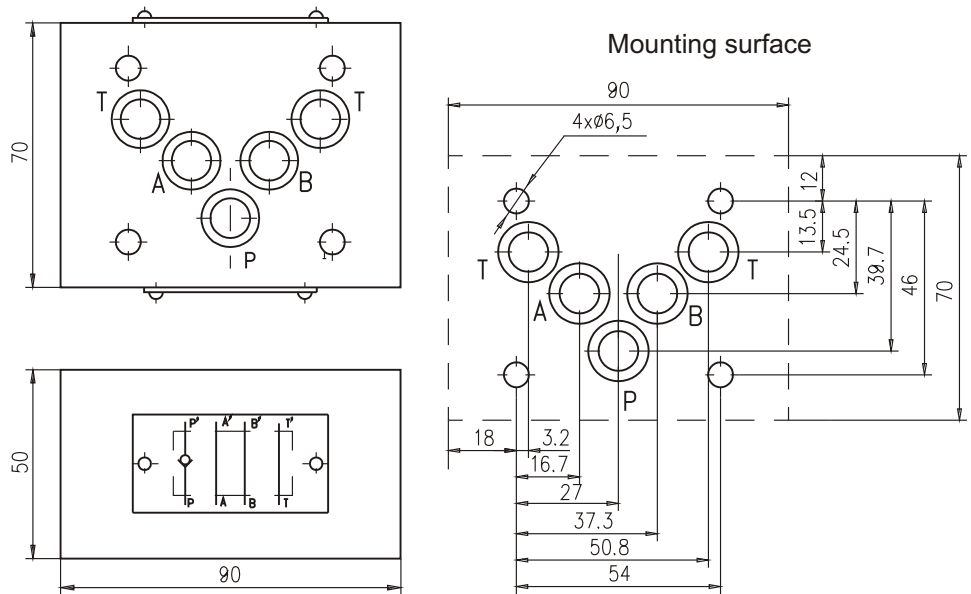
## TECHNICAL DATA

Weight	0,800 kg
Max. Pressure	320 bar
Rated flow ( $\Delta p=5$ bar.)	20 l/min
Cracking pressure	0,5 bar
Working liquid-hydraulic oils with characteristics:	
-viscosity	10...400 cSt
-degree of filtration	0,025 mm
-temperature	-20...+80°C

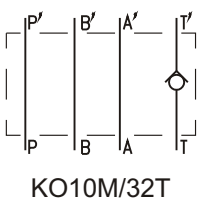
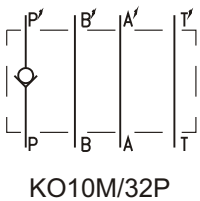
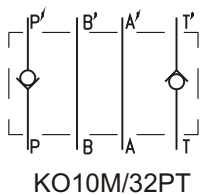
## DESCRIPTION

- ✓ Check valves for modular mounting-KO10M/32...
- ✓ Check valves give leak free closure in one direction and allow free passing in the other.
- ✓ Mounting surface CETOP5 ; NG10

## DIMENSIONS



## SYMBOL



## ORDERING CODE

**KO 10 M / 32 \*\*\***

Check valve

Nominal bore 10mm.

Modular mounting

Rated pressure: up to 320 bar.-32

Function

- at line P to P' - P

- at line T' to T - T

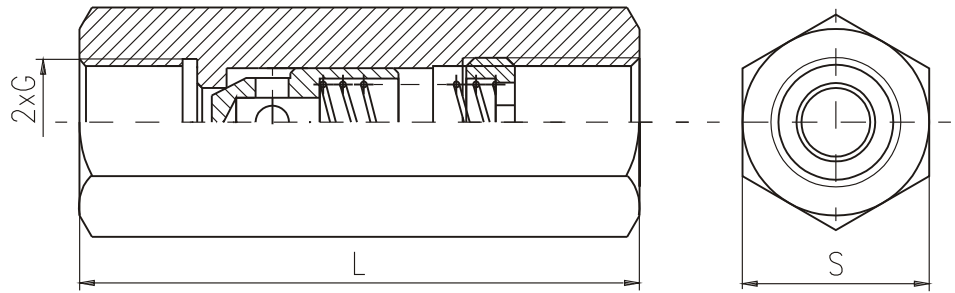
- at line P to P'&T' to T - PT

## TECHNICAL DATA

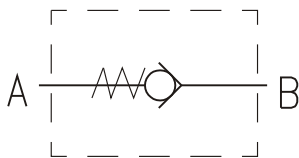
Weight	2,300 kg
Max. Pressure	320 bar
Rated flow ( $\Delta p=5$ bar.)	40 l/min
Cracking pressure	0,8 bar
Working liquid-hydraulic oils with characteristics:	
-viscosity	10...400 cSt
-degree of filtration	0,025 mm
-temperature	-20...+80°C

**DESCRIPTION**

- ✓ Check valves for pipe mounting-KO-...
- ✓ Check valves give leak free closure in one direction and allow free flow in the other.

**DIMENSIONS**


G	1/8	1/4	3/8	1/2	3/4	1
L(mm)	38	56	65	68	80	100
S(mm)	14	19	24	27	36	46

**SYMBOL**


KO-...

**ORDERING CODE**
**KO - \*\*\* - \*\*\***

Check valve

Mounting thread:

G1/8 -1/8

G1/4 -1/4

G3/8 -3/8

G1/2 -1/2

G3/4 -3/4

G1 -1

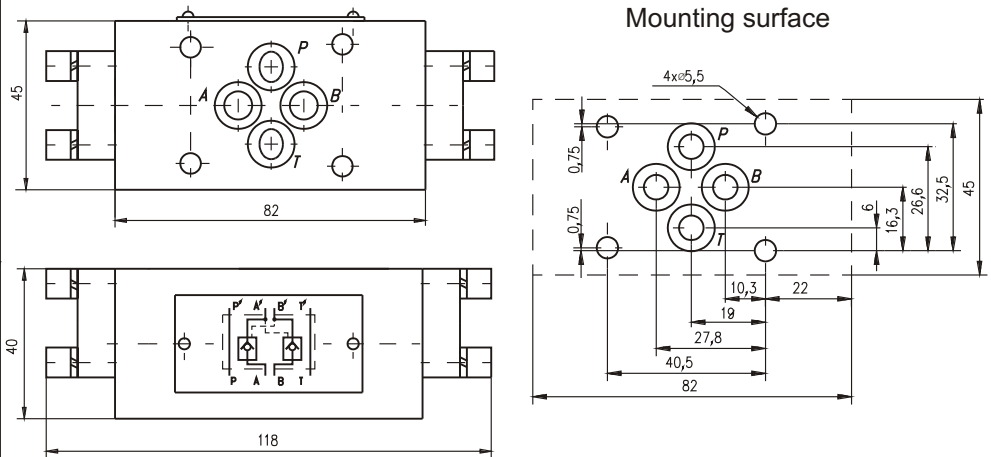
Cracking pressure - (bar.) see table below

**TECHNICAL DATA**

Max. Pressure		320 bar
Rated flow ( $\Delta p=5$ bar.)	-1/8	10 l/min
	-1/4	20 l/min
	-3/8	40 l/min
	-1/2	60 l/min
	-3/4	90 l/min
	-1	120 l/min
Cracking pressure	-1/8	1 bar
	-1/4	1 bar
	-3/8	0,5 bar
	-1/2	0,4 bar
	-3/4	0,4 bar
	-1	1,2 bar
Working liquid-hydraulic oils with characteristics:		
-viscosity		10...400 cSt
-degree of filtration		0,025 mm
-temperature		-20... +80°C

**DESCRIPTION**

- ✓ Check valves with hydraulic operation for modular mounting-KOHU6M/32-...
- ✓ Hydraulically operated check valve is designed to allow working liquid passing in one direction freely (A' to A , B' to B) and at availability of control signal in the opposite direction (A to A' , B to B'). The valve ensures hydraulic "locking" of the hydraulic cylinders , i.e. Provides their stability under load at neutral position of the directional control valve.
- ✓ Mounting surface CETOP3 ; NG6

**DIMENSIONS**

**ORDERING CODE**

KOHU	6	M	/	32	-	2	***
------	---	---	---	----	---	---	-----

Check valve with hydraulic operation

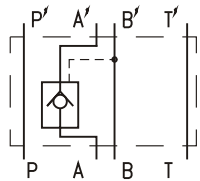
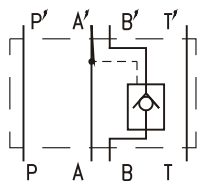
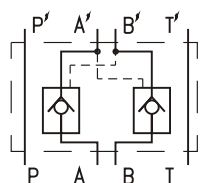
Nominal bore 6mm.

Modular mounting

Rated pressure: up to 320 bar.-32

Modification

Valve position: at line A - A  
at line B - B  
at line A and B - C

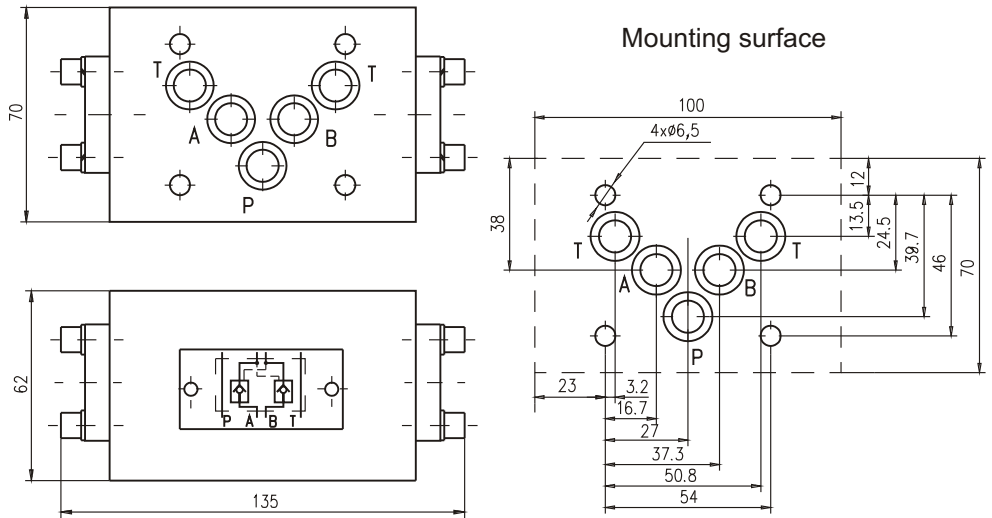
**SYMBOL**

**KOHU6M/32-2A**

**KOHU6M/32-2B**

**KOHU6M/32-2C**
**TECHNICAL DATA**

Max. Pressure	320 bar
Rated flow ( $\Delta p=2,5$ bar.)	20 l/min
Cracking pressure (for check valve)	0,7 bar
Area ratio A1/A2(check valve/piston)	1/3,5
Working liquid-hydraulic oils with characteristics:	
-viscosity	10...400 cSt
-degree of filtration	0,025 mm
-temperature	-20...+80°C



**DESCRIPTION**

✓ Check valves with hydraulic operation for modular mounting-KOHU10M/32-...  
 ✓ Hydraulically operated check valve is designed to allow working liquid passing in one direction freely (A' to A, B' to B) and at availability of control signal in the opposite direction (A to A', B to B'). The valve ensures hydraulic "locking" of the hydraulic cylinders, i.e. Provides their stability under load at neutral position of the directional control valve.  
 ✓ Mounting surface CETOP5 ; NG10

**DIMENSIONS**

**ORDERING CODE**

KOHU	10	M	/	32	-	2	***
------	----	---	---	----	---	---	-----

Check valve with hydraulic operation

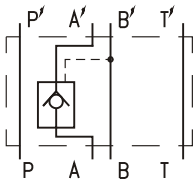
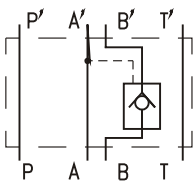
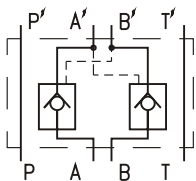
Nominal bore 10mm.

Modular mounting

Rated pressure: up to 320 bar.-32

Modification

Valve position:  
 at line A - A  
 at line B - B  
 at line A and B - C

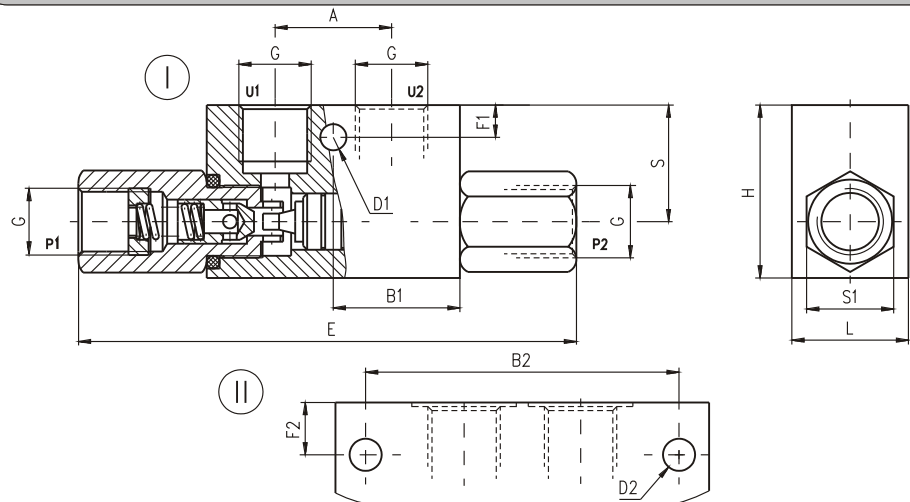
**SYMBOL**

**KOHU10M/32-2A**

**KOHU10M/32-2B**

**KOHU10M/32-2C**
**TECHNICAL DATA**

Max. Pressure	320 bar
Rated flow ( $\Delta p=2,5$ bar.)	40 l/min
Cracking pressure (for check valve)	0,5 bar
Area ratio A1/A2(check valve/piston)	1/2
Working liquid-hydraulic oils with characteristics:	
-viscosity	10...400 cSt
-degree of filtration	0,025 mm
-temperature	-20...+80°C

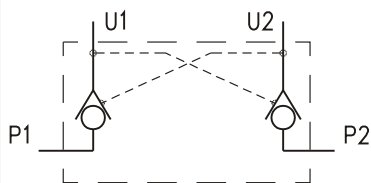
**DESCRIPTION**

✓ Check valves with hydraulic operation for pipe mounting-KOHU...

✓ Hydraulically operated check valve is designed to allow working liquid passing in one direction freely ( $U_1$  to  $P_1$ ,  $U_2$  to  $P_2$ ) and at availability of control signal in the opposite direction ( $P_1$  to  $U_1$ ,  $P_2$  to  $U_2$ ). The valve ensures hydraulic "locking" of the hydraulic cylinders, i.e. Providing their stability under load at neutral position of the directional control valve.

**DIMENSIONS**


TYPE	fig.	A	B1	B2	D1	D2	E	F1	F2	G	H	L	S	S1
mm														
KOHU 1/4	I	29	31,5		6,5		127	8		G1/4	43	29	29	22
KOHU 3/8	I	29	31,5		6,5		127	8		G3/8	43	29	29	22
KOHU 1/2	II	40		75		8,5	174		17	G1/2	60	39	40	32
KOHU 1/4-K1	I	29	31,5		6,5		106	8		G1/4	43	29	29	22
KOHU 3/8-L	I	38	40		6,5		128	8		G3/8	40	29	26	24

**SYMBOL**

**ORDERING CODE**

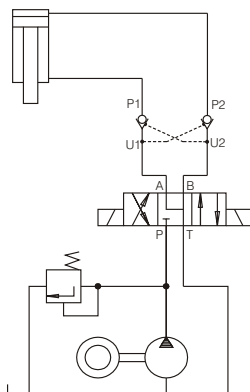
**KOHU** \*\*\* - \*\*\*

Check valve with hydraulic operation

Connecting threads: G1/4 - 1/4  
G3/8 - 3/8  
G1/2 - 1/2

Modification: normal version - omit K1

see table of dimensions L

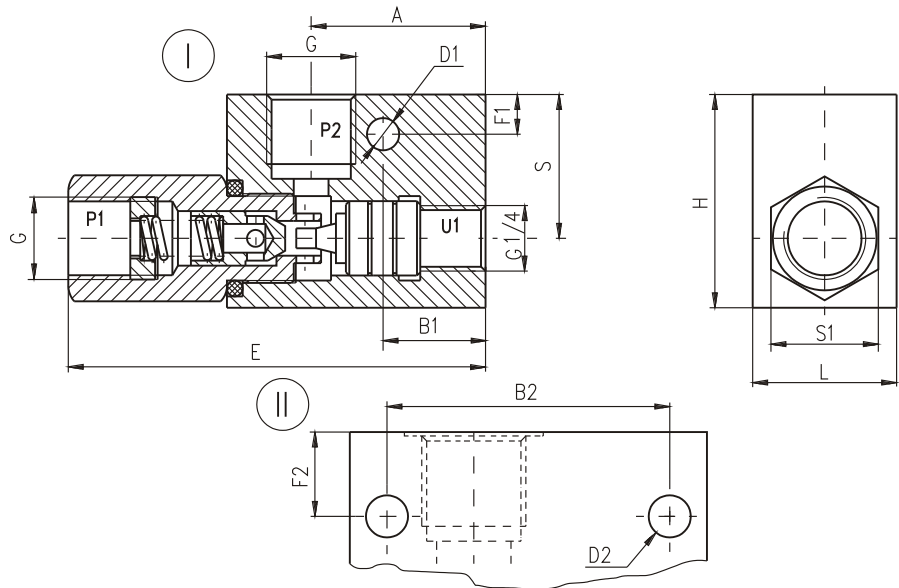
**APPLICATIONS**

**TECHNICAL DATA**

Max. Pressure		320 bar
Rated flow	KOHU1/4	12 l/min
	KOHU3/8	20 l/min
	KOHU1/2	45 l/min
	KOHU1/4-K1	12 l/min
	KOHU3/8-L	20 l/min
Cracking pressure (for check valve)	for all types	0,5 bar
Area ratio A1/A2(check valve/piston)	for all types	1/4
Working liquid-hydraulic oils with characteristics:		
-viscosity		10...400 cSt
-degree of filtration		0,025 mm
-temperature		-20...+80°C

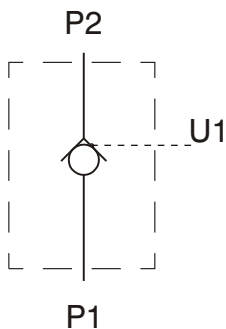
**DESCRIPTION**

✓ Check valves with hydraulic operation for pipe mounting-KOHU...-S

✓ Hydraulically operated check valve is designed to allow working liquid passing in one direction freely (P<sub>2</sub> to P<sub>1</sub>) and at availability of control signal in the opposite direction (P<sub>1</sub> to P<sub>2</sub>). The valve ensures hydraulic "locking" of the hydraulic cylinders, i.e. providing their stability under load at neutral position of the directional control valve.

**DIMENSIONS**


TYPE	fig.	A	B1	B2	C	D1	D2	E	F1	F2	G	H	L	S	S1
		mm													
KOHU 1/4-S	I	37	22,5	15	15	ø6,5	86	8	G1/4	43	29	29	22		
KOHU 3/8-S	I	37	22,5	15	15	ø6,5	86	8	G3/8	43	29	29	22		
KOHU 1/2-S	II	47	57	24	24	ø8,5	114	17	G1/2	60	39	40	32		

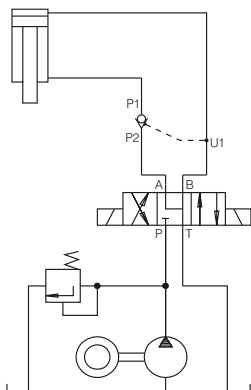
**SYMBOL**

**ORDERING CODE**

**KOHU \*\*\* - S**

Check valve with hydraulic operation

Connecting threads: G1/4 - 1/4  
G3/8 - 3/8  
G1/2 - 1/2

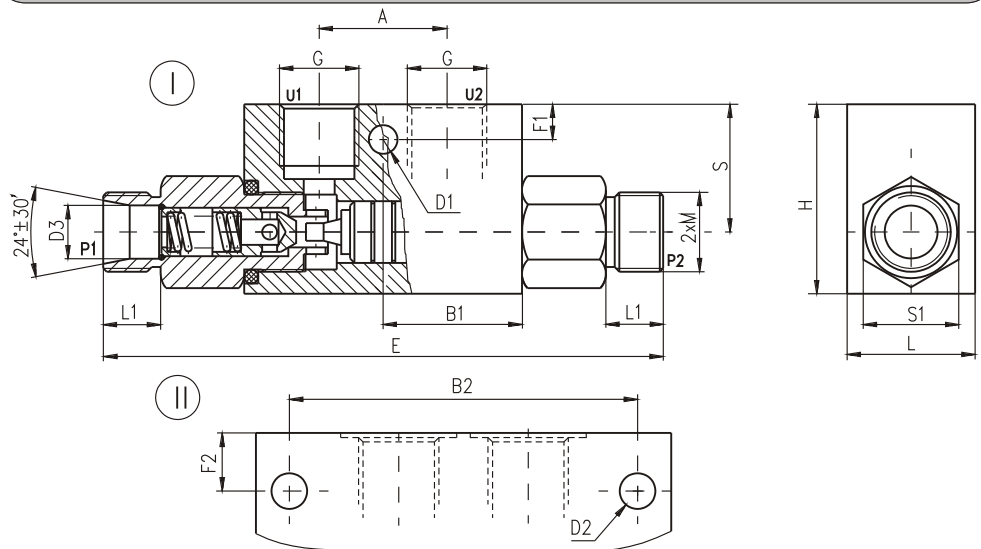
Modification

**APPLICATIONS**

**TECHNICAL DATA**

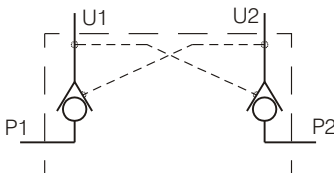
Max. Pressure		320 bar
Rated flow	KOHU1/4-S	12 l/min
	KOHU3/8-S	20 l/min
	KOHU1/2-S	45 l/min
Cracking pressure (for check valve)	for all types	0,5 bar
Area ratio A1/A2(check valve/piston)	for all types	1/4
Working liquid-hydraulic oils with characteristics:		
-viscosity		10...400 cSt
-degree of filtration		0,025 mm
-temperature		-20...+80°C

**DESCRIPTION**

✓ Check valves with hydraulic operation for pipe mounting-KOHU...-E...  
 ✓ Hydraulically operated check valve is designed to allow working liquid passing in one direction freely (U<sub>1</sub> to P<sub>1</sub>, U<sub>2</sub> to P<sub>2</sub>) and at availability of control signal in the opposite direction (P<sub>1</sub> to U<sub>1</sub>, P<sub>2</sub> to U<sub>2</sub>). The valve ensures hydraulic "locking" of the hydraulic cylinders, i.e. Providing their stability under load at neutral position of the directional control valve.

**DIMENSIONS**


TYPE	fig.	A	B1	B2	D1	D2	D3	F1	F2	L	L1	G	M	H	S	S1	E
		mm															
KOHU1815-E	I	29	31,5		ø6,5		ø12	8		30	13	G3/8"	M18x1,5	43	29	24	130
KOHU1815-EL	I	38	40		M8x20		ø12	8		30	13	G3/8"	M18x1,5	40	26	24	130
KOHU1815-EN	I	29	31,5		ø6,5		ø12	8		30	13	G3/8"	M18x1,5	43	29	24	130
KOHU2615-E	II	40		75	ø8,5		ø18		17	40	14	G1/2"	M26x1,5	60	40	32	174

**SYMBOL**

**ORDERING CODE**

**KOHU** \*\*\* - **E** \*\*\*

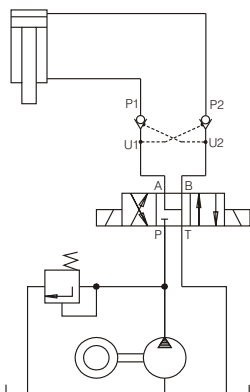
Check valve with hydraulic operation

Connecting threads: M18x1,5 - 1815  
 M26x1,5 - 2615

Modification

Versions:  
 see table of dimensions

L  
 N

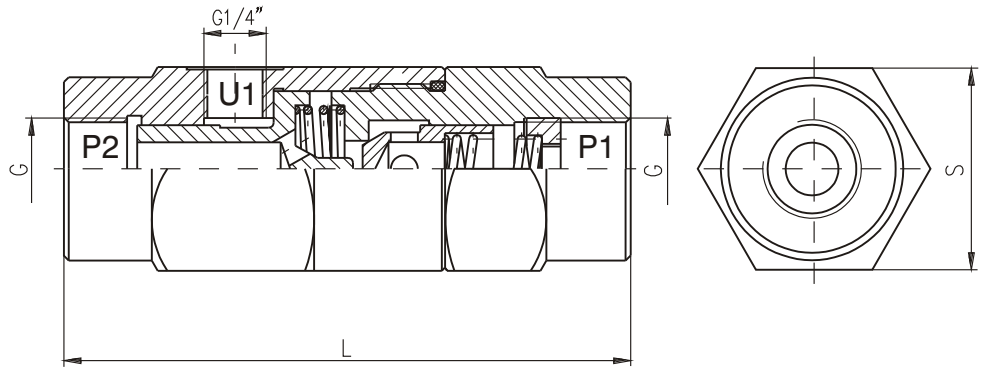
**APPLICATIONS**

**TECHNICAL DATA**

Max. Pressure		320 bar
Rated flow	KOHU1815-E	20 l/min
	KOHU1815-EL	20 l/min
	KOHU1815-EN	30 l/min
	KOHU2615-E	45 l/min
Cracking pressure (for check valve)	for all types	0,5 bar
Area ratio A1/A2(check valve/piston)	for all types	1/4
Working liquid-hydraulic oils with characteristics:		
-viscosity		10...400 cSt
-degree of filtration		0,025 mm
-temperature		-20...+80°C

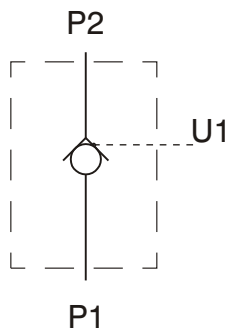
**DESCRIPTION**

✓ Check valves with hydraulic operation for pipe mounting-KOHU...-SA

✓ Hydraulically operated check valve is designed to allow working liquid passing in one direction freely (P<sub>2</sub> to P<sub>1</sub>), and at availability of control signal in the opposite direction (P<sub>1</sub> to P<sub>2</sub>). The valve ensures hydraulic "locking" of the hydraulic cylinders, i.e. providing their stability under load at neutral position of the directional control valve.

**DIMENSIONS**


TYPE	G	S	L
	mm		
KOHU 1/4-SA	G1/4"	36	98
KOHU 3/8-SA	G3/8"	40	106
KOHU 1/2-SA	G1/2"	42	118

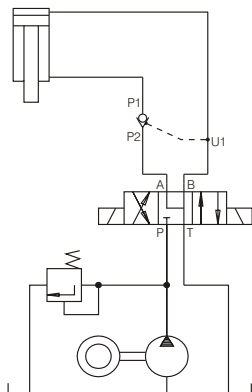
**SYMBOL**

**ORDERING CODE**

KOHU	***	-	SA
------	-----	---	----

Check valve with hydraulic operation

Connecting threads: G1/4 - 1/4  
G3/8 - 3/8  
G1/2 - 1/2

Modification

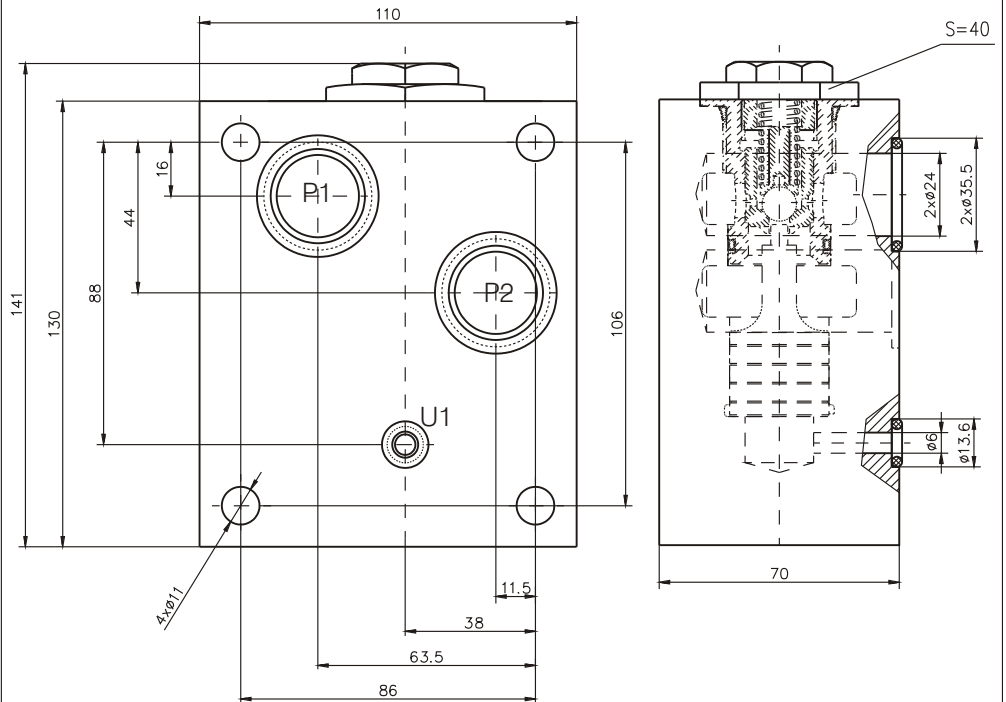
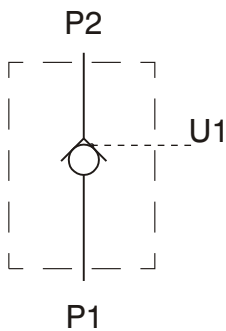
**APPLICATIONS**

**TECHNICAL DATA**

Max. Pressure		320 bar
Rated flow	KOHU1/4-SA	12 l/min
	KOHU3/8-SA	20 l/min
	KOHU1/2-SA	45 l/min
Cracking pressure (for check valve)	for all types	0,5 bar
Area ratio A1/A2(check valve/piston)	KOHU1/4-SA	1/7
	KOHU3/8-SA	1/6
	KOHU1/2-SA	1/5
Working liquid-hydraulic oils with characteristics:		
-viscosity		10...400 cSt
-degree of filtration		0,025 mm
-temperature		-20...+80°C

**DESCRIPTION**

✓ Check valves with hydraulic operation for plate mounting-KOHU16P

✓ Hydraulically operated check valve is designed to allow working liquid passing in one direction freely ( $P_2$  to  $P_1$ ), and at availability of control signal in the opposite direction ( $P_1$  to  $P_2$ ). The valve ensures hydraulic "locking" of the hydraulic cylinders, i.e. providing their stability under load at neutral position of the directional control valve.

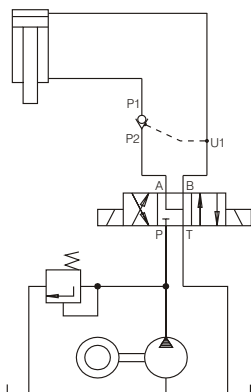
**DIMENSIONS**

**SYMBOL**

**ORDERING CODE**

KOHU	16	P
------	----	---

Check valve with hydraulic operation

Nominal bore-16 mm

Pipe mounting

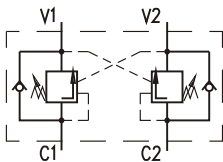
**APPLICATIONS**

**TECHNICAL DATA**

Max. Pressure	320 bar
Rated flow	160 l/min
Cracking pressure (for check valve)	0,8 bar
Area ratio A1/A2(check valve/piston)	1/1,5
Working liquid-hydraulic oils with characteristics:	
-viscosity	10...400 cSt
-degree of filtration	0,025 mm
-temperature	-20...+80°C

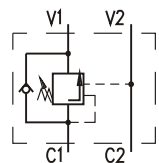
**DESCRIPTION**

✓ "OVERCENTER" valves with internal pilot operation for pipe mounting- OWC-...E/L...  
 ✓ The "OVERCENTER" valves are designed to control moving loads and to prevent loads from running ahead of pump. They lock the load at any position without drift and protect of overloading and thermal expansion by open center control valves.

**SYMBOL**

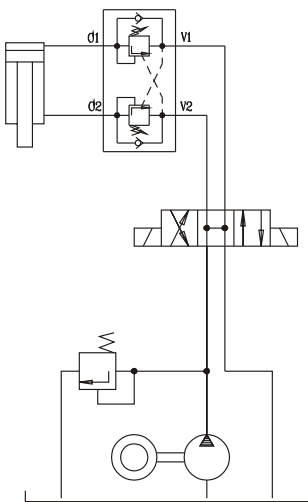


OWC-DE/L...

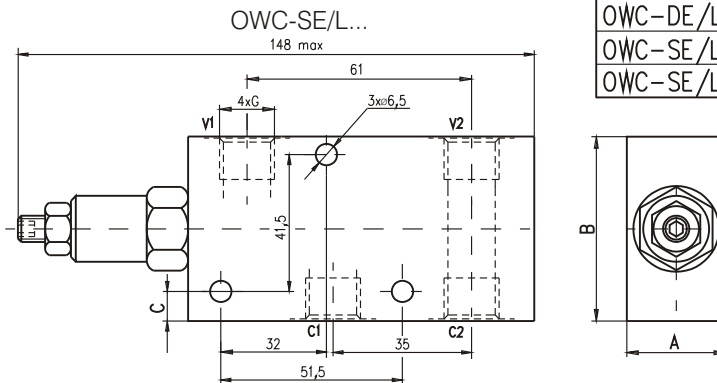
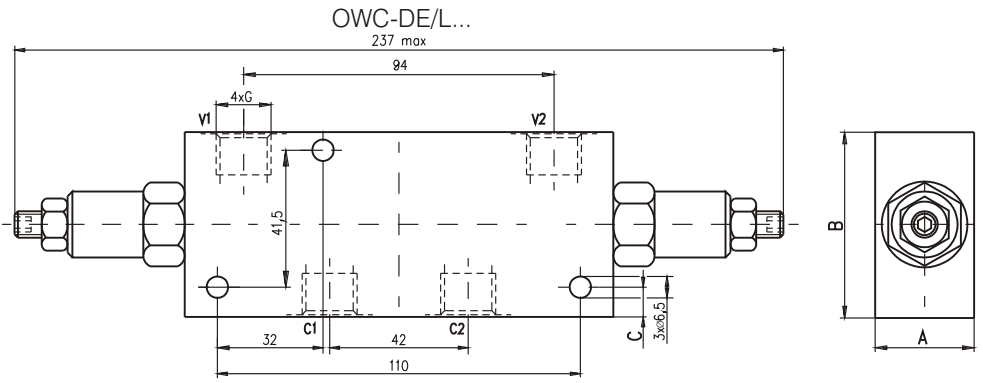


OWC-SE/L...

**APPLICATIONS**



**DIMENSIONS**



TYPE	G	mm		
		A	B	C
OWC-DE/L38	G3/8"	30	56	9
OWC-DE/L12	G1/2"	38	65	13,5
OWC-SE/L38	G3/8"	30	56	9
OWC-SE/L12	G1/2"	38	65	13,5

**ORDERING CODE**

OWC - \*\*\* E/L \*\*\*

"OVERCENTER"

Number of valves: double - D  
single - S

Modification

Connecting threads: G3/8 - 38  
G1/2 - 12

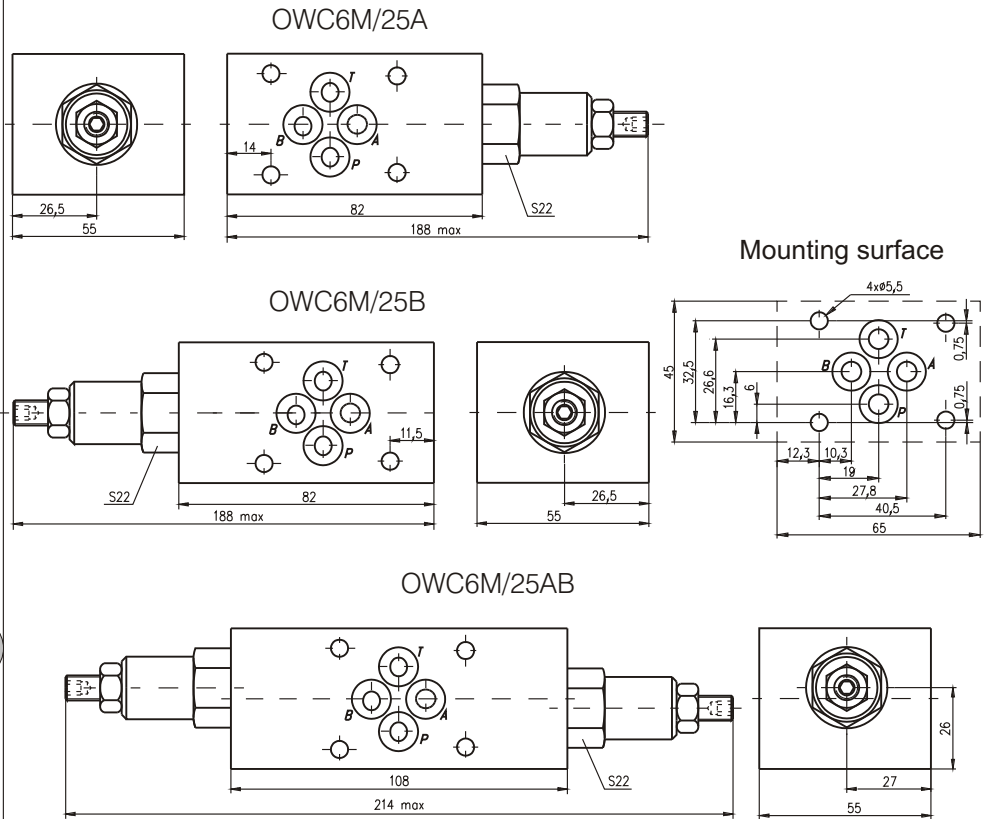
**TECHNICAL DATA**

Rated pressure	40...250 bar
Rated flow	for all types 35 l/min
Pressure ratio $P_w/P_p$ (work/pilot)	for all types 4/1
Working liquid-hydraulic oils with characteristics:	
-viscosity	10...400 cSt
-degree of filtration	0,025 mm
-temperature	-20...+80°C

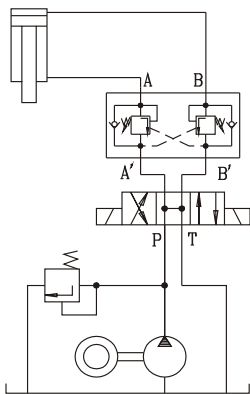
**DESCRIPTION**

- ✓ "OVERCENTER" valves with internal pilot operation for modular mounting-OWC6M/25...
- ✓ The "OVERCENTER" valves are designed to control moving loads and to prevent loads from running ahead of pump. They lock the load in any position without drift and protect of overloading and thermal expansion by open center control valves.
- ✓ Mounting surface CETOP3 ; NG6

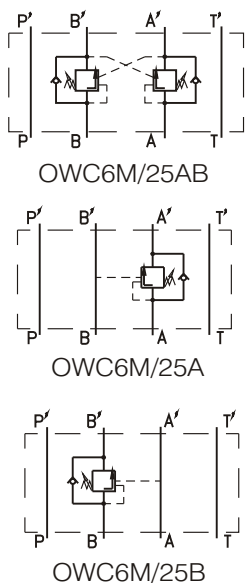
**DIMENSIONS**



**APPLICATIONS**



**SYMBOL**



**ORDERING CODE**

**OWC 6 M / 25 \*\*\***

"OVERCENTER"

Nominal bore 6mm

Modular mounting

Rated pressure

up to 250 bar.

Valve position:

at line A - A

at line B - B

at line A&B - AB

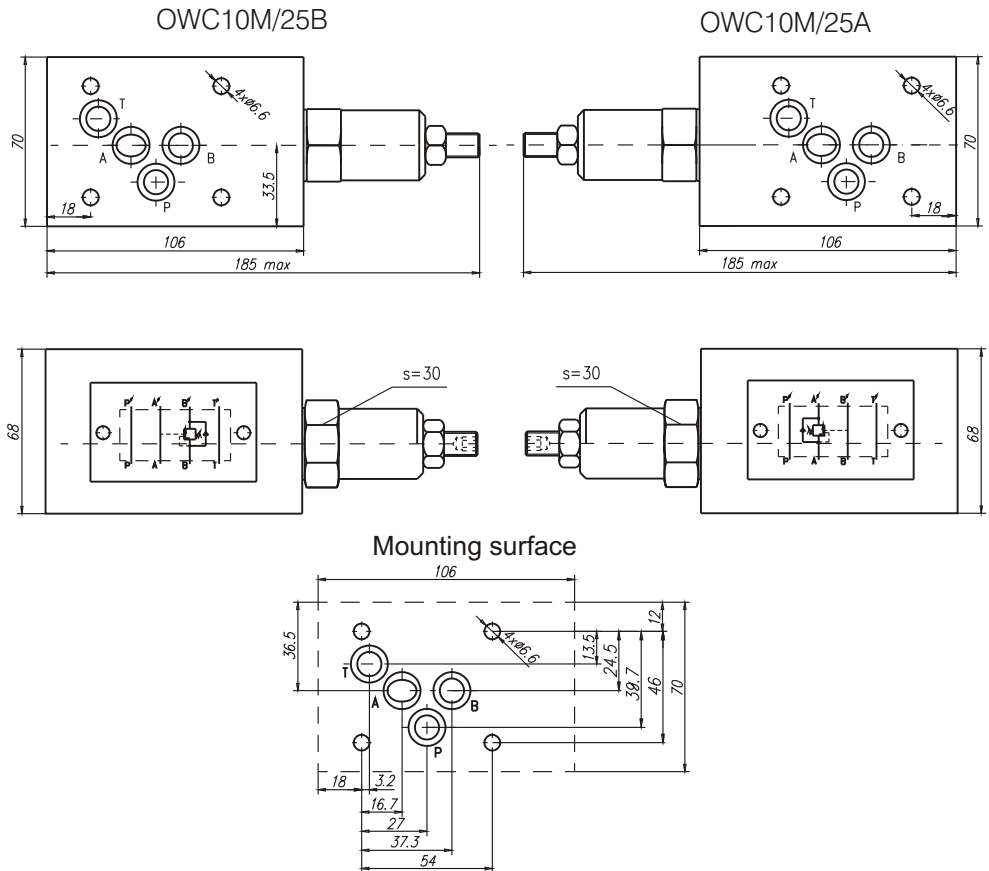
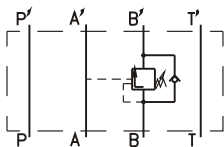
**TECHNICAL DATA**

Rated pressure		40...250 bar
Rated flow	for all types	20 l/min
Pressure ratio $P_w/P_p$ (work/pilot)	for all types	4/1
Working liquid-hydraulic oils with characteristics:		
-viscosity		10...400 cSt
-degree of filtration		0,025 mm
-temperature		-20...+80°C

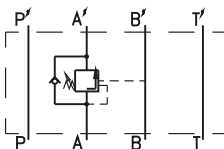


**DESCRIPTION**

- ✓ "OVERCENTER" valves with internal pilot operation for modular mounting-OWC10M/25...
- ✓ The "OVERCENTER" valves are designed to control moving loads and to prevent loads from running ahead of pump. They lock the load in any position without drift and protect of overloading and thermal expansion by open center control valves.
- ✓ Mounting surface CETOP5 ; NG10

**DIMENSIONS**

**SYMBOL**


OWC10M/25B



OWC10M/25A

**ORDERING CODE**

OWC	10	M	/	25	***
-----	----	---	---	----	-----

"OVERCENTER"

Nominal bore 10mm

Modular mounting

Rated pressure

up to 250 bar.

Valve position:

at line A - A

at line B - B

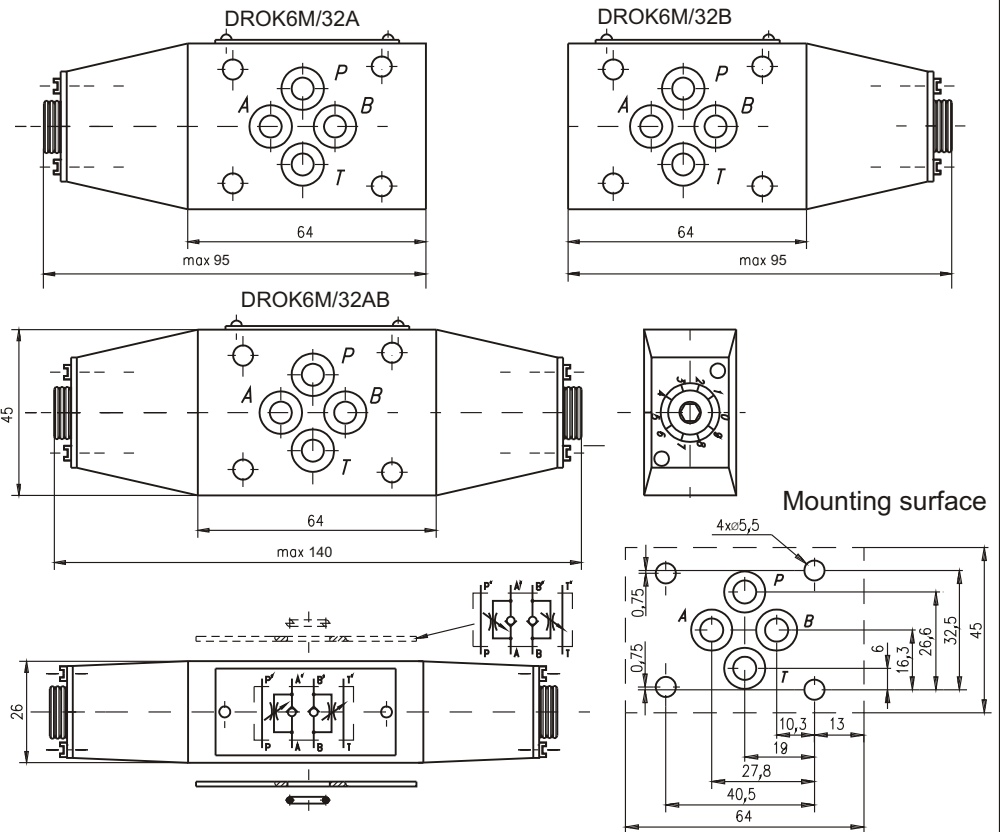
**TECHNICAL DATA**

Rated pressure		40...250 bar
Rated flow	for all types	80 l/min
Pressure ratio $P_w/P_p$ (work/pilot)	for all types	4,2/1
Working liquid-hydraulic oils with characteristics:		
-viscosity		10...400 cSt
-degree of filtration		0,025 mm
-temperature		-20...+80°C

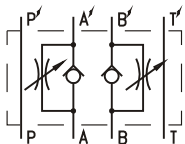
## DESCRIPTION

- ✓ Adjustable throttles with check valves for modular mounting-DROK6M/32-...
- ✓ The throttle check valves limit the flow by adjustable throttling spool at one direction , and allow free return passing through the other.
- ✓ Mounting surface CETOP3 ; NG6

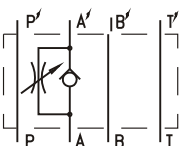
## DIMENSIONS



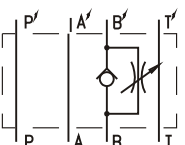
## SYMBOL



DROK6M/32AB



DROK6M/32A



DROK6M/32B

## ORDERING CODE

**DROK 6 M / 32 \*\*\***

Adjustable throttle with check valve

Nominal bore 6mm.

Modular mounting

Rated pressure: up to 320 bar.-32

Valve position: at line A - A  
at line B - B  
at line A and B - AB

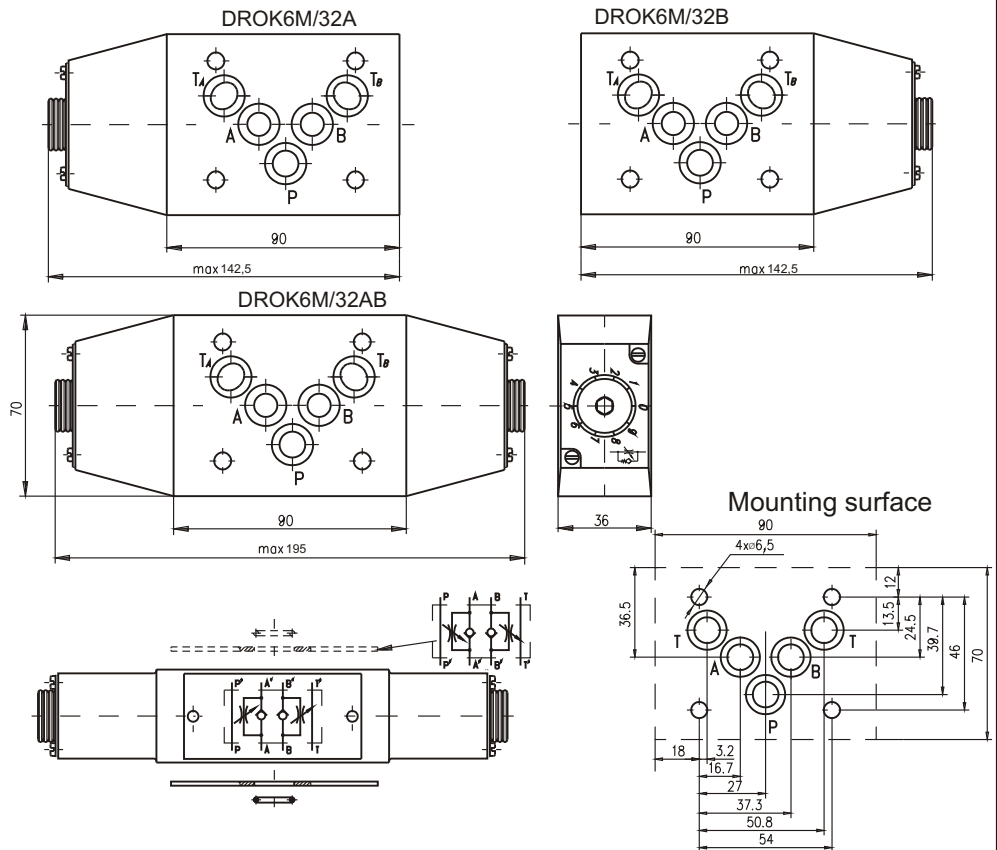
## TECHNICAL DATA

Weight	-with one valve	0,650 kg
	-with two valves	0,810 kg
Max. Pressure		320 bar
Rated flow ( $\Delta p=3,5$ bar.)		20 l/min
Cracking pressure (for check valve)		0,2 bar
Working liquid-hydraulic oils with characteristics:		
-viscosity		10...400 cSt
-degree of filtration		0,025 mm
-temperature		-20...+80°C

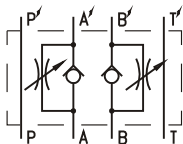
## DESCRIPTION

- ✓ Adjustable throttles with check valves for modular mounting-DROK10M/32-...
- ✓ The throttle check valves limit the flow by adjustable throttling spool at one direction , and allow free return passing on the other.
- ✓ Mounting surface CETOP5 ; NG10

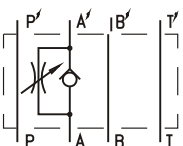
## DIMENSIONS



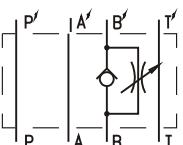
## SYMBOL



DROK10M/32AB



DROK10M/32A



DROK10M/32B

## ORDERING CODE

**DROK 10 M / 32 \*\*\***

Adjustable throttle with check valve

Nominal bore 10mm.

Modular mounting

Rated pressure: up to 320 bar.-32

Valve position: at line A - A  
at line B - B  
at line A and B - AB

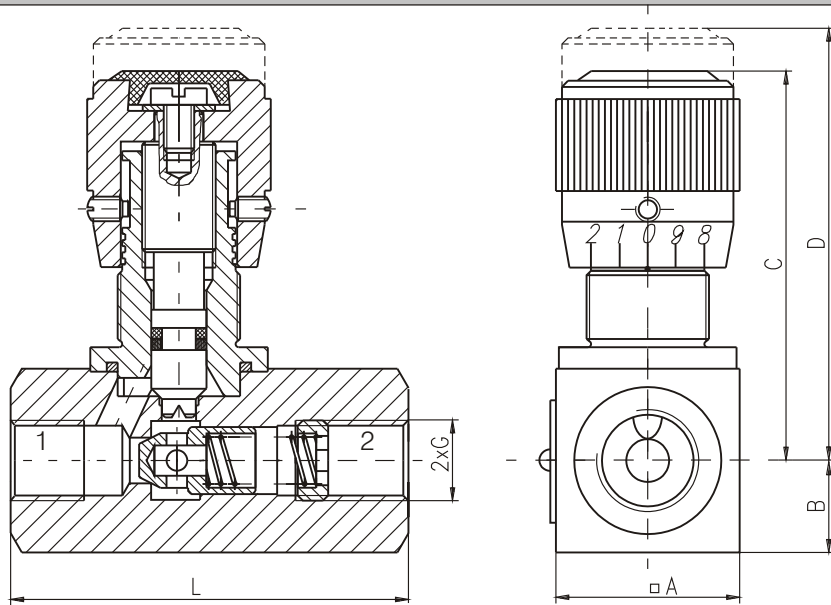
## TECHNICAL DATA

Weight	-with one valve	2,100 kg
	-with two valves	2,500 kg
Max. Pressure		320 bar
Rated flow ( $\Delta p=2,5$ bar.)		40 l/min
Cracking pressure (for check valve)		0,2 bar
Working liquid-hydraulic oils with characteristics:		
-viscosity		10...400 cSt
-degree of filtration		0,025 mm
-temperature		-20...+80°C

## DESCRIPTION

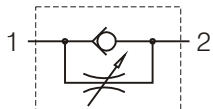
- ✓ Adjustable throttles with check valves for pipe mounting-DROK...T/32-...
- ✓ The throttle check valves limit the flow by adjustable throttling spool at one direction, and allow free return passing on the other.

## DIMENSIONS



TYPE	L	A	B	mm.	
				C	D
DROK6T/32-1/4"	65	30	15	63	70
DROK6T/32-3/8"	65	30	15	63	70
DROK10T/32-1/2"	79	32	13,5	66,5	73,5

## SYMBOL



## ORDERING CODE

**DROK** \*\*\* **T** / **32** - \*\*\*

Adjustable throttle with check valve

Nominal bore: 6mm - 6  
10mm - 10

Pipe mounting

Rated pressure: up to 320 bar.-32

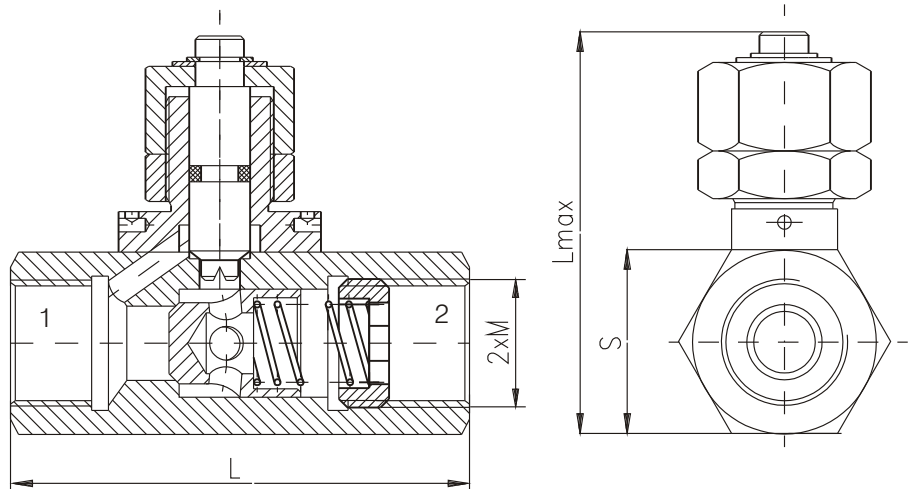
Mounting threads: G1/4 - 1/4  
G3/8 - 3/8  
G1/2 - 1/2

## TECHNICAL DATA

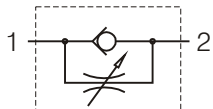
Max. Pressure		320 bar
Rated flow ( $\Delta p=2,5$ bar.)	DROK6T/32-...	20 l/min
Rated flow ( $\Delta p=2,5$ bar.)	DROK10T/32-1/2	40 l/min
Cracking pressure (for check valve)		0,3 bar
Working liquid-hydraulic oils with characteristics:		
-viscosity		10...400 cSt
-degree of filtration		0,025 mm
-temperature		-20...+80°C

**DESCRIPTION**

- ✓ Adjustable throttles with check valves for pipe mounting-DROK...T/25
- ✓ The throttle check valves limit flow by adjustable throttling spool at one direction , and allow free return passing on the other.

**DIMENSIONS**


TYPE	L	Lmax	S	M
	mm.			
DROK12T/25	68	59	27	18x1,5
DROK16T/25	82	62	30	22x1,5
DROK20T/25	92	68	36	27x2

**SYMBOL**

**ORDERING CODE**
**DROK \*\*\* T / 25**

 Adjustable throttle with  
check valve

 Nominal bore:      12mm - **12**  
                              16mm - **16**  
                              20mm - **20**

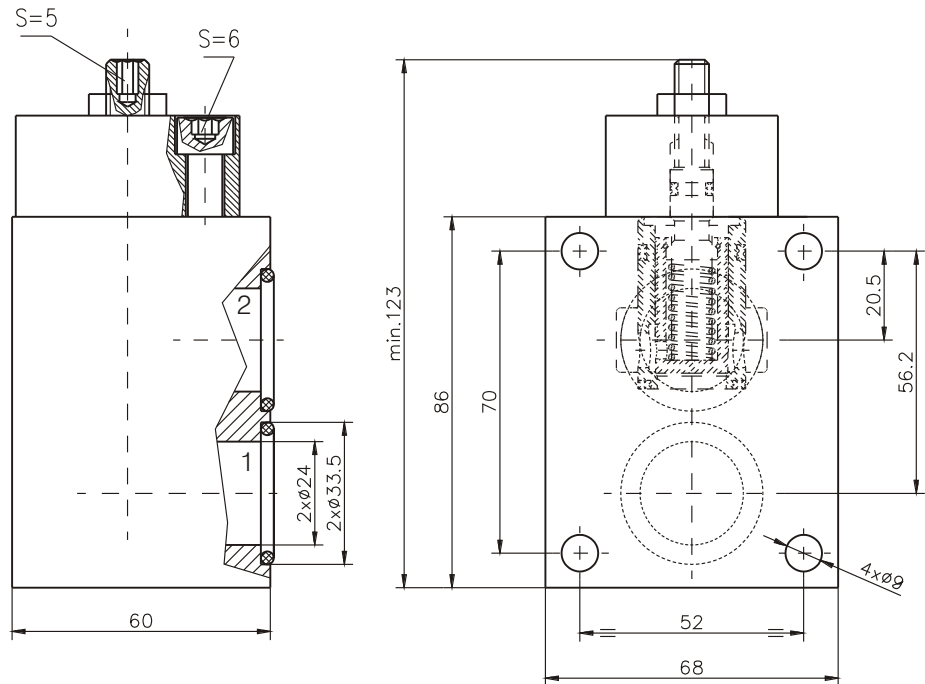
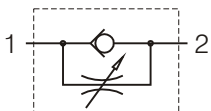
Pipe mounting

 Rated pressure:                                      up to 250 bar.-**25**
**TECHNICAL DATA**

Max. Pressure		250 bar
Rated flow ( $\Delta p=2,5$ bar.)	DROK12T/25	25 l/min
	DROK16T/25	40 l/min
	DROK20T/25	63 l/min
Cracking pressure (for check valve)		0,3 bar
Working liquid-hydraulic oils with characteristics:		
-viscosity		10...400 cSt
-degree of filtration		0,025 mm
-temperature		-20...+80°C

**DESCRIPTION**

- ✓ Adjustable throttles with check valves for pipe mounting-DROK16P
- ✓ The throttle check valves limit flow by adjustable throttling spool at one direction , and allow free return passing on the other.

**DIMENSIONS**

**SYMBOL**

**ORDERING CODE**

DROK	16	P
------	----	---

Adjustable throttle with  
check valve  
Nominal bore - 16 mm.

Pipe mounting

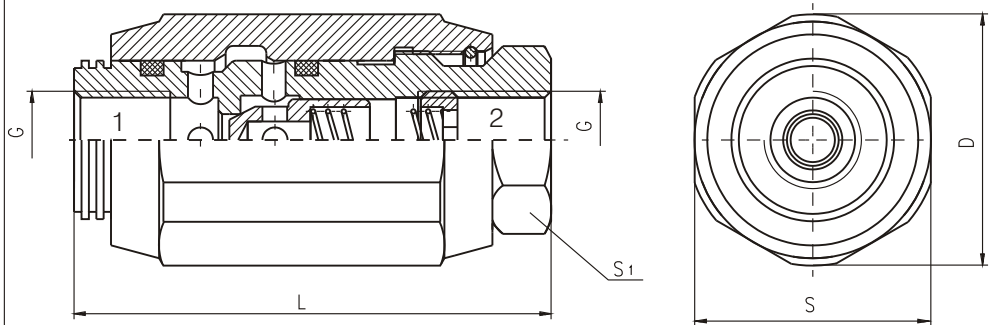
**TECHNICAL DATA**

Max. Pressure	320 bar
Rated flow ( $\Delta p=2,5$ bar.)	160 l/min
Cracking pressure (for check valve)	0,5 bar
Working liquid-hydraulic oils with characteristics:	
-viscosity	10...400 cSt
-degree of filtration	0,025 mm
-temperature	-20...+80°C

## DESCRIPTION

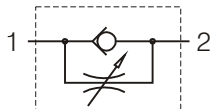
- ✓ Adjustable throttles with check valves for pipe mounting-DROK-...
- ✓ The throttle check valves limit flow by adjustable throttling spool at one direction, and allow free return passing on the other.

## DIMENSIONS



TYPE	L	S	S1	D	G
	mm.				
DROK-1/4"	65	32	22	34	1/4"
DROK-3/8"	65	36	24	38	3/8"
DROK-1/2"	82	42	29	44	1/2"
DROK-3/4"	100	52	36	55	3/4"
DROK-1"	126	65	45	70	1"

## SYMBOL



## ORDERING CODE

**DROK - \*\*\***

Adjustable throttle with check valve

Mounting threads:

G1/4-1/4"  
G3/8-3/8"  
G1/2-1/2"  
G3/4-3/4"  
G1-1"

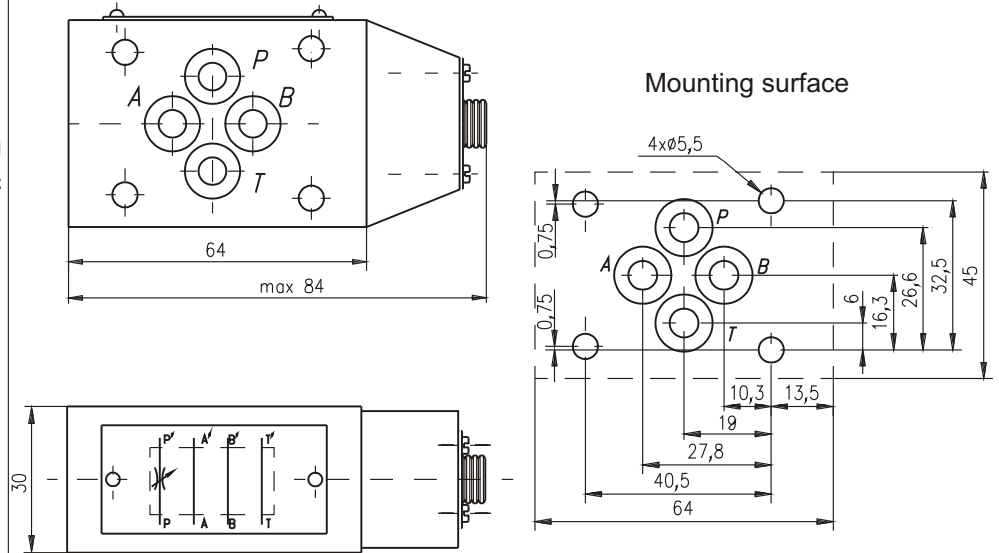
## TECHNICAL DATA

Max. Pressure		320 bar
Rated flow ( $\Delta p=2,5$ bar.)	-1/4	12 l/min
	-3/8	20 l/min
	-1/2	45 l/min
	-3/4	80 l/min
	-1	160 l/min
Working liquid-hydraulic oils with characteristics:		
-viscosity		10...400 cSt
-degree of filtration		0,025 mm
-temperature		-20... +80°C

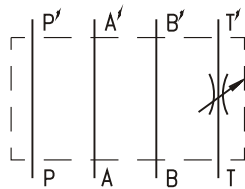
**DESCRIPTION**

- ✓ Adjustable throttles for modular mounting-DR6M/32...
- ✓ The valve throttles , or completely stops the flow in any direction , so creating resistance to flow regulation and support in the hydraulic system.
- ✓ Mounting surface CETOP3 ; NG6

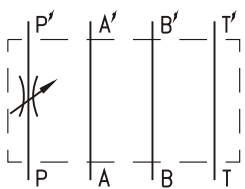
**DIMENSIONS**



**SYMBOL**



**DR6M/32T**



**DR6M/32P**

**ORDERING CODE**

**DR 6 M / 32 \*\*\***

Adjustable throttle  
 Nominal bore 6mm.  
 Modular mounting  
 Rated pressure: up to 320 bar.-32  
 Valve position: at line T - T  
 at line P - P

**TECHNICAL DATA**

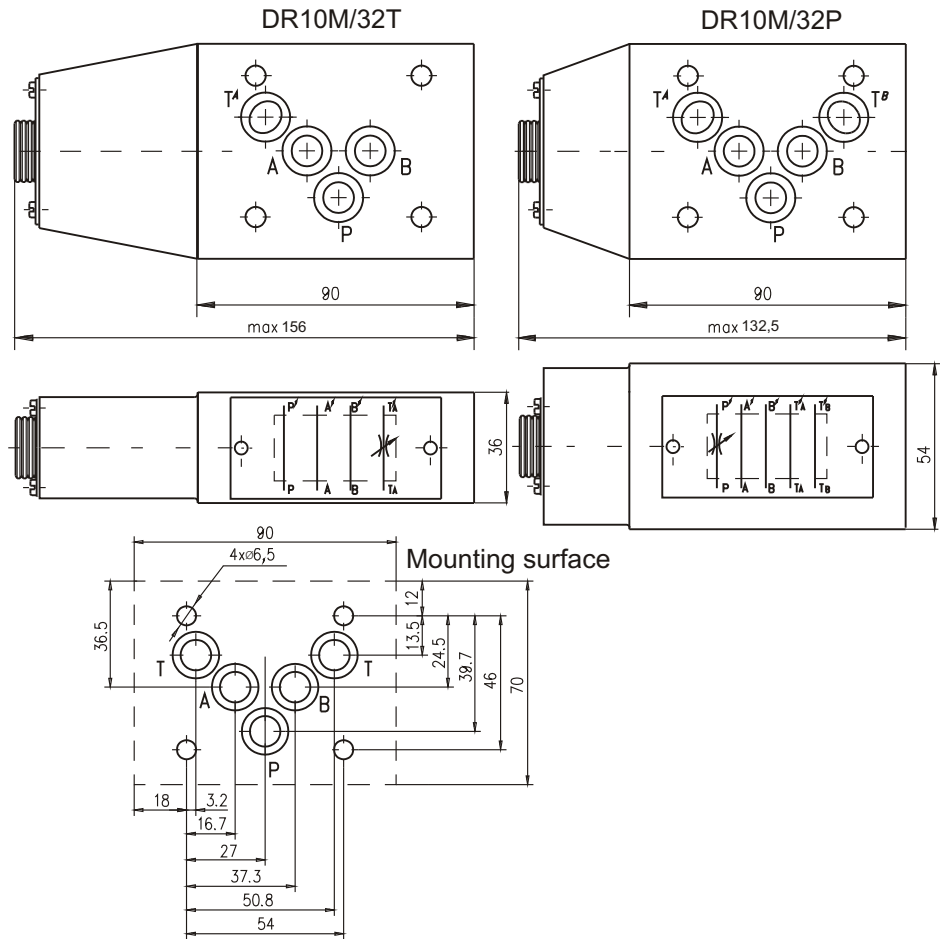
Weight	DR6M/32T	0,710 kg
	DR6M/32P	0,710 kg
Max. Pressure		320 bar
Rated flow ( $\Delta p=2,5$ bar.)		20 l/min
Working liquid-hydraulic oils with characteristics:		
-viscosity		10...400 cSt
-degree of filtration		0,025 mm
-temperature		-20... +80°C



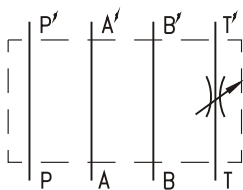
## DESCRIPTION

- ✓ Adjustable throttles with for modular mounting-DR10M/32...
- ✓ The valve throttles , or completely stops the flow in any direction , so creating resistance to flow regulation and support in the hydraulic system.
- ✓ Mounting surface CETOP5 ; NG10

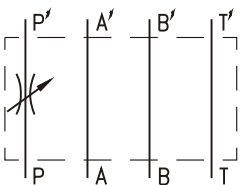
## DIMENSIONS



## SYMBOL



DR10M/32T



DR10M/32P

## ORDERING CODE

DR 10 M / 32 \*\*\*

Adjustable throttle

Nominal bore 10mm.

Modular mounting

Rated pressure: up to 320 bar.-32

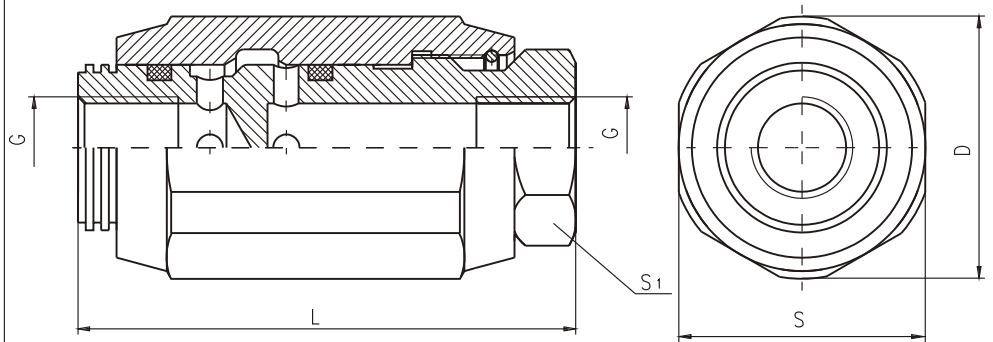
Valve position: at line T - T  
at line P - P

## TECHNICAL DATA

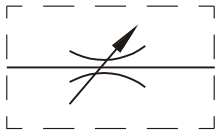
Weight	DR10M/32T	2,200 kg
	DR10M/32P	2,850 kg
Max. Pressure		320 bar
Rated flow ( $\Delta p=2,5$ bar.)		40 l/min
Working liquid-hydraulic oils with characteristics:		
-viscosity		10...400 cSt
-degree of filtration		0,025 mm
-temperature		-20...+80°C

**DESCRIPTION**

- ✓ Adjustable throttle for pipe mounting-DR-...
- ✓ The valve throttles , or completely stops the flow in any direction , so creating resistance to flow regulation and support in the hydraulic system.

**DIMENSIONS**


TYPE	L	S	S1	D	G
	mm.				
DR-1/4"	65	32	22	34	1/4"
DR-3/8"	65	36	24	38	3/8"
DR-1/2"	82	42	29	44	1/2"
DR-3/4"	100	55	36	59	3/4"
DR-1"	126	65	45	70	1"

**SYMBOL**

**ORDERING CODE**

DR	-	***
----	---	-----

Adjustable throttle

Mounting thread:

G1/4 -1/4

G3/8 -3/8

G1/2 -1/2

G3/4 -3/4

G1 -1

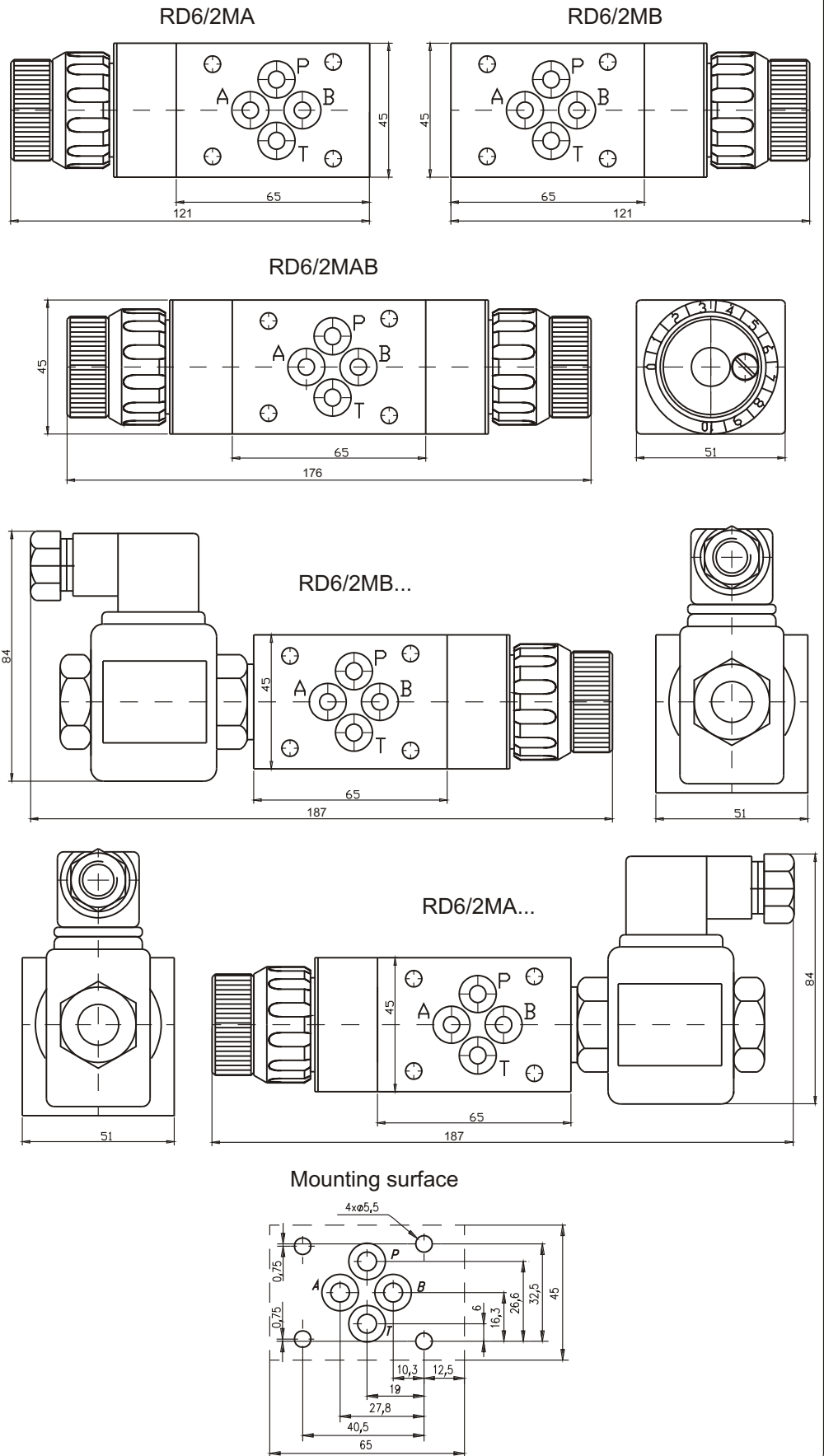
**TECHNICAL DATA**

Max. Pressure		320 bar
Rated flow ( $\Delta p=2,5$ bar.)	-1/4	12 l/min
	-3/8	20 l/min
	-1/2	45 l/min
	-3/4	80 l/min
	-1	160 l/min
Working liquid-hydraulic oils with characteristics:		
-viscosity		10...400 cSt
-degree of filtration		0,025 mm
-temperature		-20...+80°C

**DESCRIPTION**

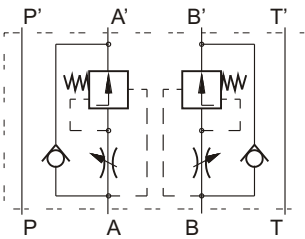
- ✓ Flow control valves for modular mounting- RD6/2M...
- ✓ The flow control valves are designed to regulate the flow rate in the hydraulic system , independently of the inlet flow and pressure variations in it.
- ✓ Flow Control Valve with solenoid controlled check valve (channel A or channel B) ensures two different speeds of movement.
- ✓ Mounting surface CETOP3 ; NG6

**DIMENSIONS**

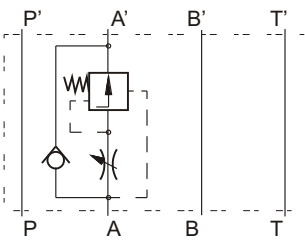


**SYMBOL**

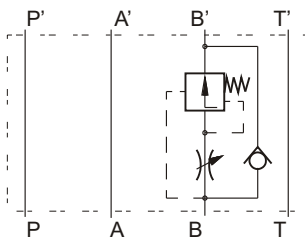
**ORDERING CODE**



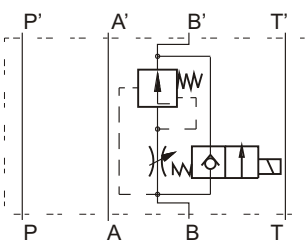
**RD6/2MAB**



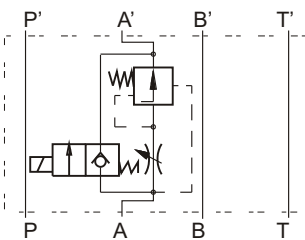
**RD6/2MA**



**RD6/2MB**



**RD6/2MB...**



**RD6/2MA...**

RD	6	/	2	M	***	***
----	---	---	---	---	-----	-----

Flow control valve

Nominal bore 6mm.

2 - way valve

Modular mounting

Valve position:

at line A - **A**

at line B - **B**

at line A&B - **AB**

Solenoid operated check valve:

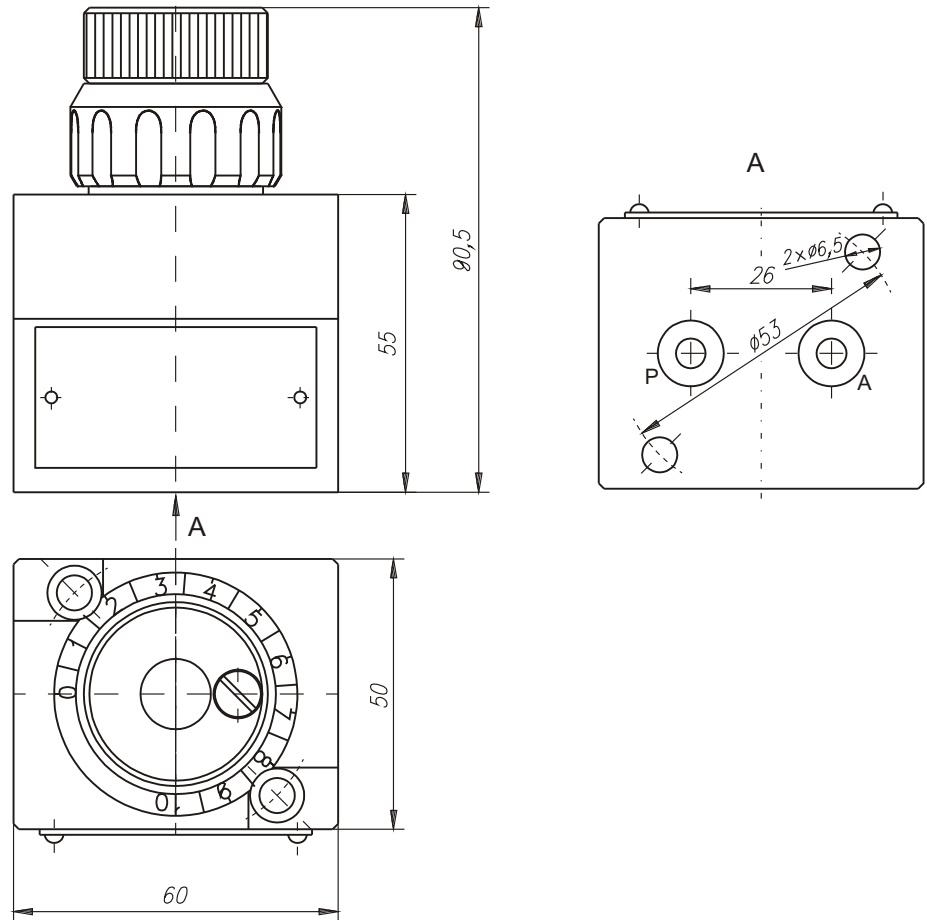
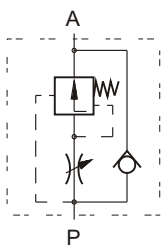
- without check valve - **omit**
- operated voltage 12VDC - **1**
- operated voltage 24VDC - **2**
- operated voltage 110VAC - **3**
- operated voltage 220VAC - **4**

**TECHNICAL DATA**

Weight	RD6/2MAB	1,825 kg
	RD6/2MA & RD6/2MB	1,485 kg
	RD6/2MA...&D6/2MB...	1,885 kg
Max. Pressure		320 bar
	with solenoid valve	250 bar
Rated flow ( $\Delta p=2,5$ bar.)		10 l/min
Minimum flow		0,06 l/min
Working liquid-hydraulic oils with characteristics:	-viscosity	10...400 cSt
	-degree of filtration	0,025 mm
	-temperature	-20...+80°C

**DESCRIPTION**

- ✓ Flow control valves for plate mounting - RD6/2P..
- ✓ The flow control valves are designed to regulate the flow rate in the hydraulic system, independently of the inlet flow and pressure variations in it.

**DIMENSIONS**

**SYMBOL**

**ORDERING CODE**

RD	6	/	2	P
----	---	---	---	---

Flow control valve

Nominal bore 6mm.

2 - way valve

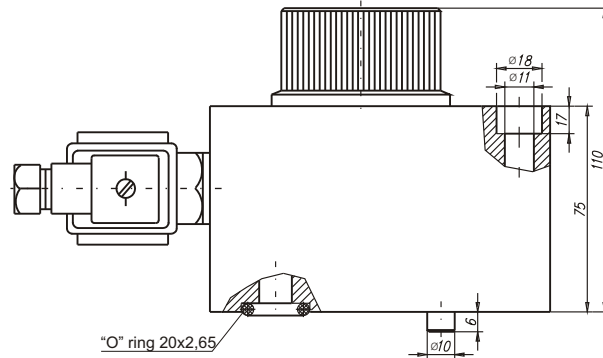
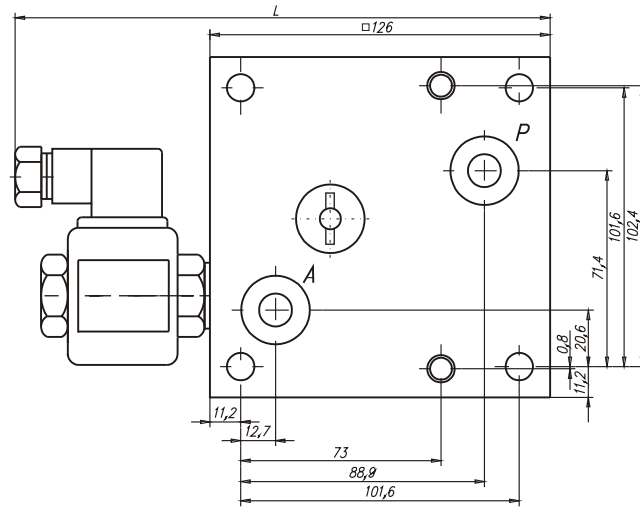
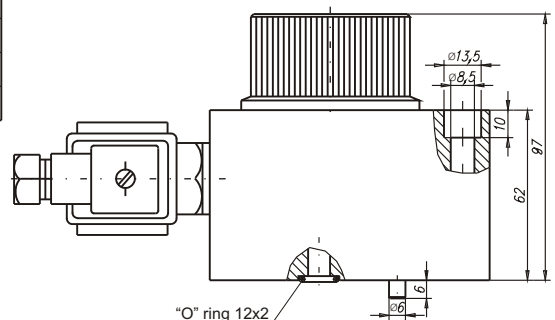
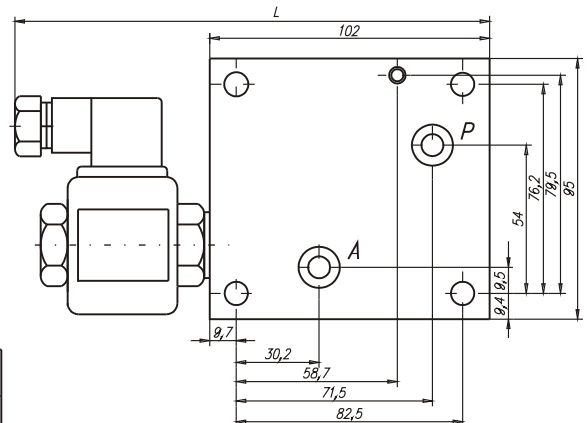
Plate mounting

**TECHNICAL DATA**

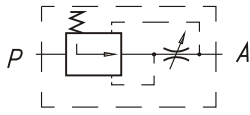
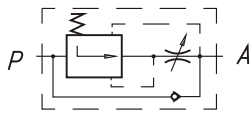
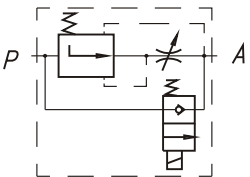
Weight	1,240 kg
Max. Pressure	320 bar
Rated flow ( $\Delta p=2,5$ bar.)	10 l/min
Minimum flow	0,06 l/min
Working liquid-hydraulic oils with characteristics:	
-viscosity	10...400 cSt
-degree of filtration	0,025 mm
-temperature	-20...+80°C

**DESCRIPTION**

- ✓ Flow control valves for plate mounting- RD.../2...
- ✓ The flow control valves are designed to regulate the flow rate in the hydraulic system, independently of the inlet flow and pressure variations in it.
- ✓ Flow Control Valve with solenoid controlled check valve (channel A or channel B) ensures two different speeds of movement.

**DIMENSIONS**
**RD16/2...**

**RD10/2...**


TYPE	Range of regulation	L mm.
	grad.	
RD 10/2	4x360°	102
RD 10/2...	4x360°	175,5
RD 16/2	4x360°	126
RD 16/2...	4x360°	197,5

**SYMBOL**

**RD.../2**

**RD.../2A**

**RD.../2...**
**ORDERING CODE**

RD	***	/	2	***
----	-----	---	---	-----

Flow control valve

Nominal bore:

10mm - 10

16mm - 16

2-way valve

Modifications:

- standard modification - omit

-with build in check valve - A

-with build in solenoid check valve : operated voltage-12VDC - 1

operated voltage-24VDC - 2

-operated voltage 110VAC - 3

-operated voltage 220VAC - 4

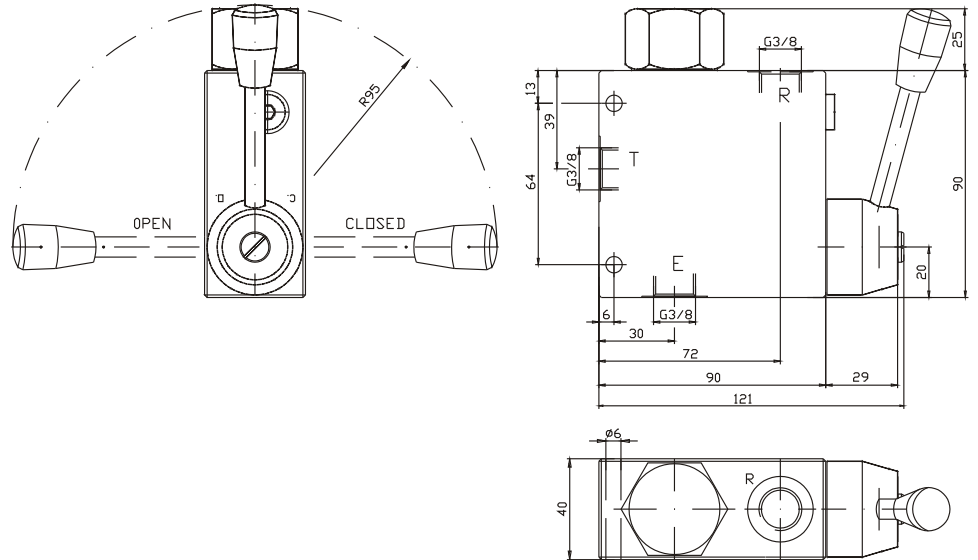
**TECHNICAL DATA**

Max. Pressure		320 bar
Rated flow ( $\Delta p=5$ bar.)	RD10/2...	24 l/min
Rated flow ( $\Delta p=8$ bar.)	RD16/2...	80 l/min
Minimum flow	RD10/2...	0,05 l/min
Minimum flow	RD16/2...	0,1 l/min
Working liquid-hydraulic oils with characteristics:		
-viscosity		10...400 cSt
-degree of filtration		0,025 mm
-temperature		-20... +80°C

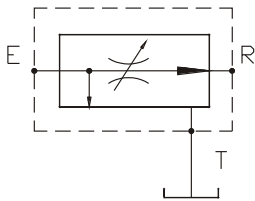
**DESCRIPTION**

✓ Three way flow control valves for pipe mounting -RD10/3T  
 ✓ The flow control valves are designed to regulate the flow rate in the hydraulic system, independently of the inlet flow and pressure variations in it. Priority flow regulator gives priority of the adjusted flow to pass entirely to bypass, tank or a separate system.

**DIMENSIONS**



**SYMBOL**



**ORDERING CODE**

**RD 10 / 3 T**

Flow control valve

Nominal bore - 10mm

3 - way valve

Pipe mounting

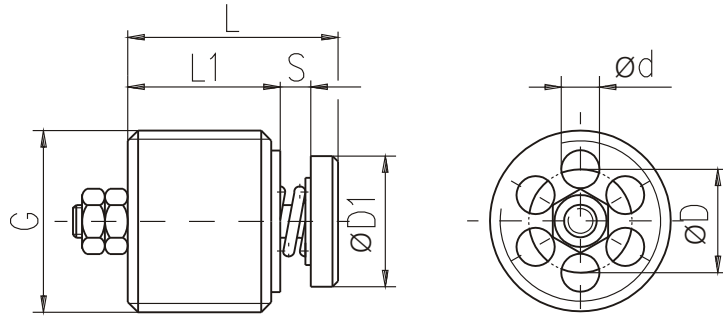
**TECHNICAL DATA**

Max. Pressure	210 bar
Rated flow	30 l/min
Minimum flow	4 l/min
Working liquid-hydraulic oils with characteristics:	
-viscosity	10...400 cSt
-degree of filtration	0,025 mm
-temperature	-20...+80°C

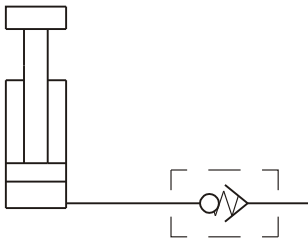


**DESCRIPTION**

✓ Hose burst check valves for pipe mounting-HC870...  
 ✓ Hose burst check valves prevent against an uncontrollable, accelerated movement of a loaded hydraulic actuator, when the back pressure is lost (as a result of damage or rupture in the pressurized line or pipe connections).  
 The valve is screwed directly into the pressurized inlet port of the hydraulic actuator.

**DIMENSIONS**


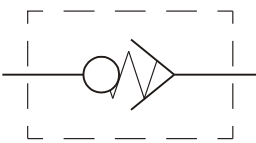
TYPE	G	L	L <sub>1</sub>	mm		
				D	D <sub>1</sub>	d
HC870-1/4	G1/4"	21	12	8	9,5	2,4
HC870-3/8	G3/8"	23	14	9,5	12	3,5
HC870-1/2	G1/2"	27	16	13	15	4,5
HC870-3/4	G3/4"	36	24	16	18,5	6,0

**APPLICATIONS**

**ORDERING CODE**

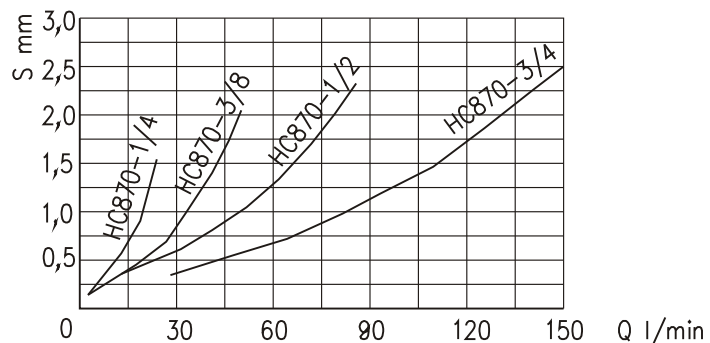
**HC 870 - \*\*\***

Hose burst check valve  
 Modification  
 Mounting thread:

G1/4 -1/4  
 G3/8 -3/8  
 G1/2 -1/2  
 G3/4 -3/4

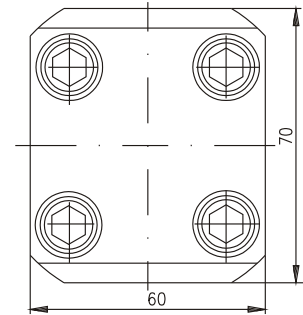
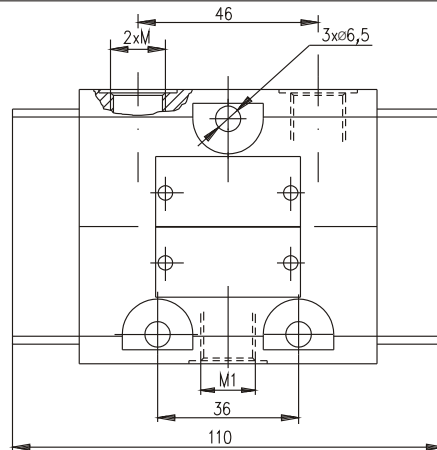
**SYMBOL**

**TECHNICAL DATA**

Max. Pressure	320 bar
Rated flow - see characteristics	
Working liquid-hydraulic oils with characteristics:	
-viscosity	10...400 cSt
-degree of filtration	0,025 mm
-temperature	-20...+80°C

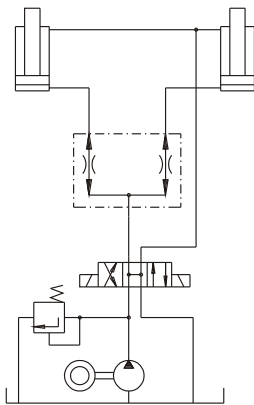
**CHARACTERISTICS**


**DESCRIPTION**

✓ Dividing and combining valves for pipe mounting-KDS-.....  
 ✓ The dividing and combining valves are designed to separate the flow in the hydraulic system on two equal passages which pass equally in the return line. In that way synchronized movement is obtained for operating the actuator in both directions.

**DIMENSIONS**


TYPE	M	M1
KDS-10	M14x1,5	M14x1,5
KDS-40	M18x1,5	M22x1,5

**APPLICATIONS**

**ORDERING CODE**

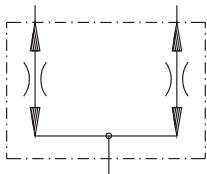
**KDS - \*\*\* \*\***

Dividing and combining valve  
 Nominal bore:

10mm - **10**  
 40mm - **40**

Flow rate range: bore size - 10  
 bore size - 40

5...7 l/min - **A**  
 7...12 l/min - **B**  
 12...16 l/min - **C**  
 16...21 l/min - **A**  
 21...28 l/min - **B**  
 28...37 l/min - **C**  
 37...49 l/min - **D**  
 49...63 l/min - **E**

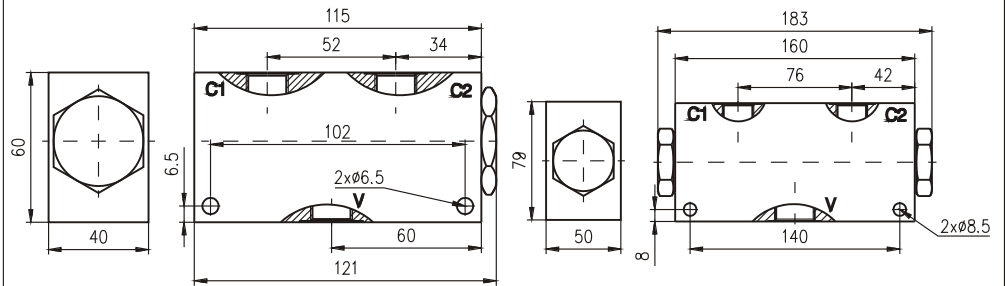
**SYMBOL**

**TECHNICAL DATA**

Max. Pressure		320 bar
Rated flow ( $\Delta p=2,5$ bar.)	KDS-10A	5...7 l/min
	KDS-10B	7...12 l/min
	KDS-10C	12...16 l/min
	KDS-40A	16...21 l/min
	KDS-40B	21...28 l/min
	KDS-40C	28...37 l/min
	KDS-40D	37...49 l/min
	KDS-40E	49...63 l/min
Accuracy - $\Delta Q$		$\pm 4\%$
Working liquid-hydraulic oils with characteristics:		
-viscosity		10...400 cSt
-degree of filtration		0,025 mm
-temperature		-20...+80°C

**DESCRIPTION**

✓ Dividing and combining valves for pipe mounting-FDC.....-...

✓ The dividing and combining valves are designed to separate the flow in the hydraulic system on two equal passages which pass equally in the return line. In that way synchronized movement is obtained for operating the actuator in both directions.

**DIMENSIONS**


TYPE FDC10	V	C1	C2
FDC10 38-12	G3/8"	G3/8"	G3/8"
FDC10 38-24	G3/8"	G3/8"	G3/8"
FDC10 12-40	G1/2"	G3/8"	G3/8"

TYPE FDC20	V	C1	C2
FDC20 34-90	G3/4"	G1/2"	G1/2"
FDC20 100-150	G1"	G3/4"	G3/4"

**ORDERING CODE**

<b>FDC</b>	<b>***</b>	<b>***</b>	<b>-</b>	<b>***</b>
------------	------------	------------	----------	------------

Dividing and combining valve

Modifications:

-10

-20

Connection "V" threads:

G3/8"-38

G1/2"-12

G3/4"-34

G1"-100

Flow rate range: modification - 10

4...12 l/min - 12

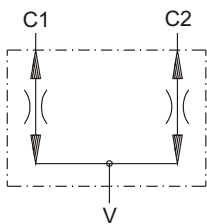
12...24 l/min - 24

24...40 l/min - 40

modification - 20

40... 90 l/min - 90

80...150 l/min - 150

**SYMBOL**

**TECHNICAL DATA**

Max. Pressure		210 bar
Rated flow	FDC10 38-12	4...12 l/min
	FDC10 38-24	12...24 l/min
	FDC10 12-40	24...40 l/min
	FDC20 34-90	40... 90 l/min
	FDC20 100-150	80...150 l/min
Accuracy at pressure diff. 12 MPa between C1 and C2 - $\Delta Q$		$\pm 5\%$
Working liquid-hydraulic oils with characteristics:		
-viscosity		10...400 cSt
-degree of filtration		0,025 mm
-temperature		-20...+80°C

**FEATURES**

- ✓ Compact power units design.
- ✓ Right power pack size for each application and suitable circuit.
- ✓ Required functions for all control problems.
- ✓ Stable steel reservoir with visual oil level , filling plug with air filter and drain plug.
- ✓ Suitable devices for all additional requests such as e.q. accumulator ; heat exchangers ; level , pressure and filtration supervising apparatus etc.
- ✓ Arrangement for service maintenance.
- ✓ Individual adjustment is possible.
- ✓ Additional options at request.

**TECHNICAL DATA**

Drive power units supply hydraulic consumers for various application. Customized hydraulic power units are consisted of:

- Electric motor: three phases , V220/380 , 50Hz , shape V1 , B5 or B3/B5 , B14 and power from 0,37 to 18,5kW.
- Hydraulic external gear pump: displacement from 1 to 60cm<sup>3</sup> , pressure - up to 250bar.
- Reservoir with capacity: from 20 to 400 liters or more.
- Manifolds for distribution and regulation of hydraulic power according to the specific application.

Customized circuits can be easily realized by means of modular plates , modular valves - size 06 and 10 ; solenoid valves and directional control valves.

Installation position	horizontal
-electric motor with vertical axis and pump submersed -electric motor installed on the reservoir cover with horizontal axis and pump	
Ambient temperature	-20... +70°C
Working liquid-hydraulic oils with parameters:	
-viscosity	10...400 cSt
-recommended viscosity	20...80 cSt
-degree of filtration	0,025 mm
-temperature	up to 80°C
-fluid contamination class	ISO 19/16

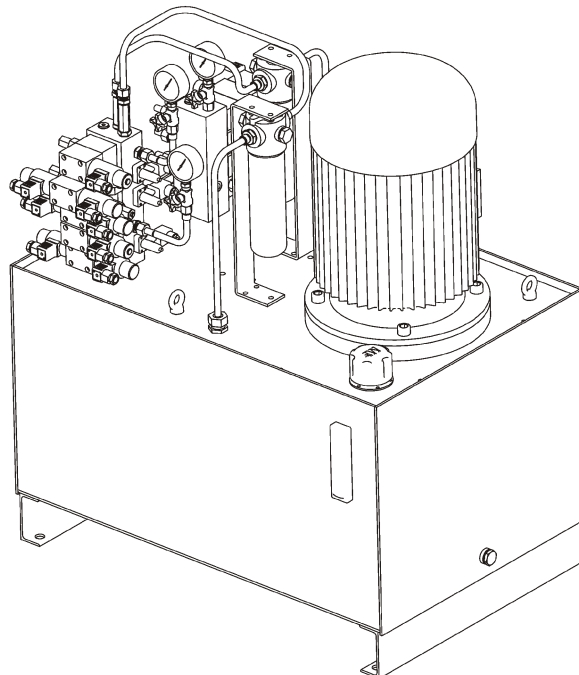
**DESCRIPTION**

Hydraulic power pack supply 6 consumers:

- el. motor power - 7,5kW
- triple pump - 20/16/16 l/min
- reservoir - 200 l

Manifold with modular valves size 06.  
Pressure filter  
Glycerin filled pressure gauge with shut-off valve;  
Pressure indicators.

**CUSTOMIZED POWER PACK FOR SPECIFIC APPLICATIONS**

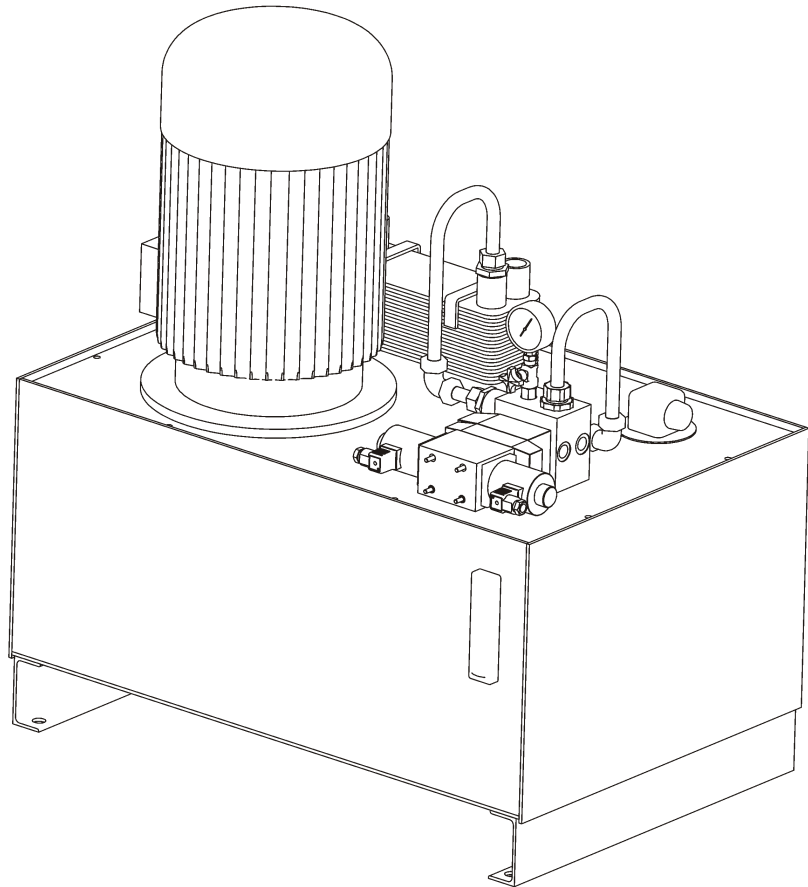


DESCRIPTION

CUSTOMIZED POWER PACK FOR SPECIFIC APPLICATIONS

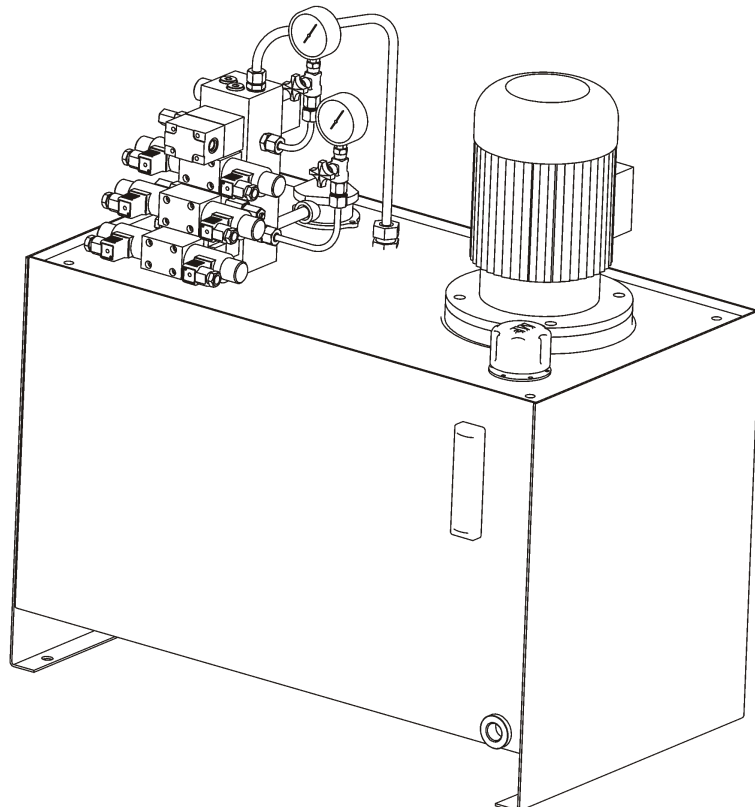
Hydraulic power pack  
for 1 consumer.

- el. motor power -18,5kW
- pump - 42 l/min
- reservoir - 150 l
- heat exchanger with  
water circulation.



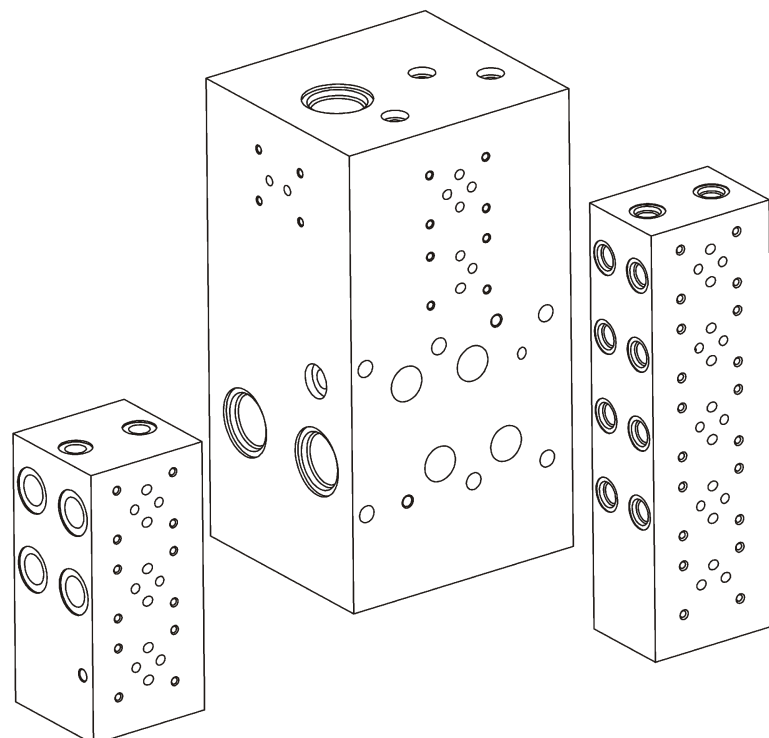
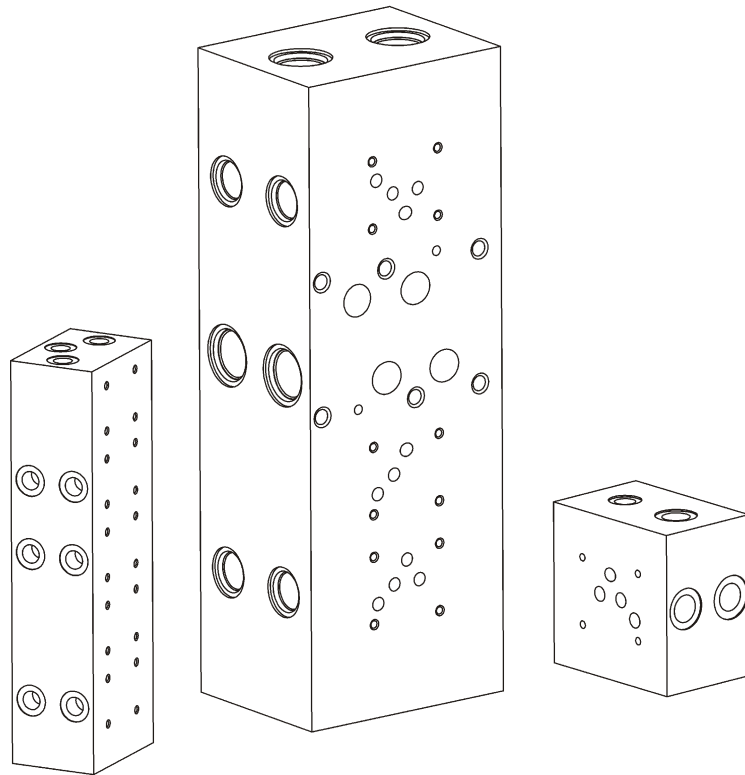
Hydraulic power pack  
for 3 consumers.

- el. motor power - 3kW
- tandem pump -  
16/7 l/min
- reservoir - 150 l
- return line filter



**DESCRIPTION**

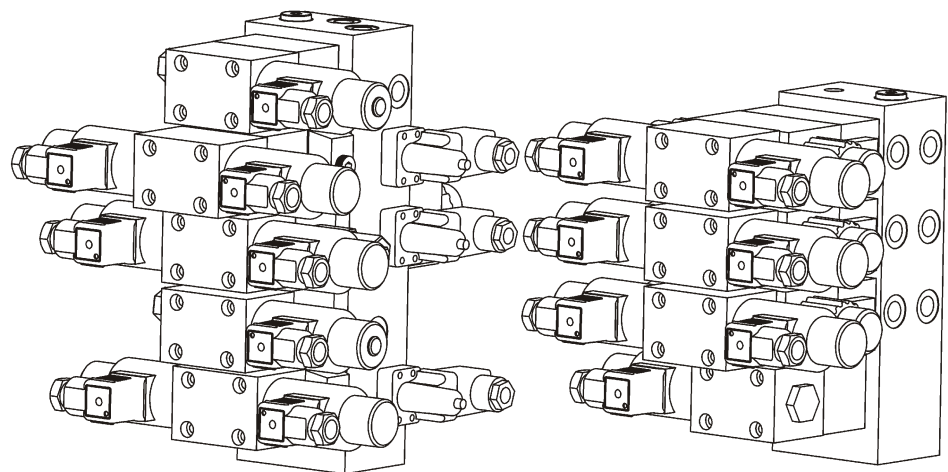
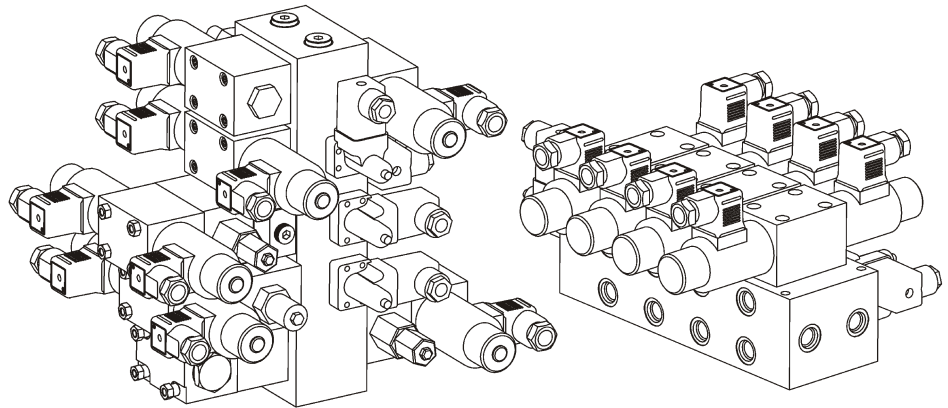
- ✓ Customized manifolds , best suited to customer needs.
- ✓ Realized for wide range modular valves - Cetop 3 ; Cetop 5 ; Cetop 7 (NG 6 ; NG 10 ; NG 16).
- ✓ Designed for concrete applications and best operation of the machine.
- ✓ Material: steel , cast iron , aluminium.
- ✓ Dimensions: Over all dimensions are not according to standard. The optimal dimensions depend on the complexity of the realized scheme/function.
- ✓ Port threads P , T , A , B : metric (inche) on request.

**MANIFOLDS**


DESCRIPTION

- ✓ Tailored for concrete applications and specific requirements.
- ✓ Tested and preset for integration in the hydraulic systems.
- ✓ The modular conception of manifolds assembly ensures reliability of the systems , easy assembly , operation and service.

MANIFOLDS ASSEMBLY



## NOTES



## NOTES

## APPENDIX

## CONVERSION TABLE

Unit	≈	Factor	x	Unit
1 in	≈	25.4		mm
1 PSI	≈	0.07		bar
1 USGPM	≈	3.79		l/min
1 in <sup>3</sup>	≈	16.66		cm <sup>3</sup>
1 cSt	≈	1		mm <sup>2</sup> /s
1 lbft	≈	1.347		Nm
5(°F-32)/9	≈	1		°C

## ADDITIONAL INFORMATION

All specifications , descriptions and illustrations contained herein , refer to the products at the time of printing. "CAPRONI" reserves its right to discontinue models , modify or revise the specifications without notice. For current information contact our distributors or local office. Additional functional symbols can be given in case of request.

August 2007



BULGARIA , 6100 KAZANLAK , 45 STOLETOV STR.  
 TEL.:+359/431/62 229 , +359/431/6132 ,  
 FAX:+359/431/62 230 , +359/431/63 134  
 E-MAIL:CAPRONI@CAPRONI.BG , WEB:HTTP://WWW.CAPRONI.BG