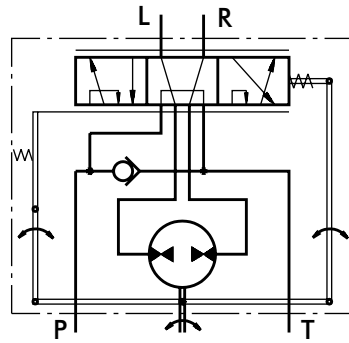


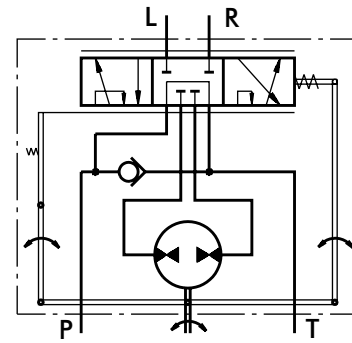
HYDROSTATIC STEERING UNITS TYPE HKU.../3, 4



The newly designed HKU steering units, with radial distribution, incorporate two rotary tracing valves in the housing, which turn on the metering pump.



"Open Center - Load Reaction"
Version 3 - HKU.../3



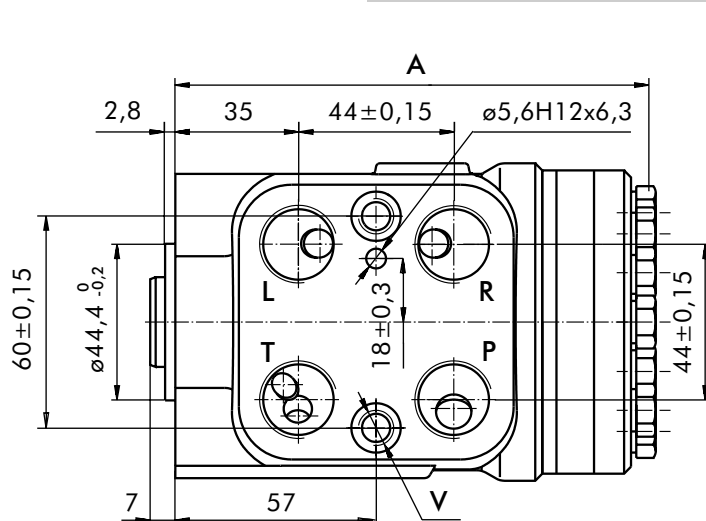
"Open Center - Non Load Reaction"
Version 4 - HKU.../4

SPECIFICATION DATA

Parameters	Type															
	HKU 40/3	HKU 50/3	HKU 63/3	HKU 80/3	HKU 100/3	HKU 125/3	HKU 160/3	HKU 200/3	HKU 250/3	HKU 320/3	HKU 400/3					
	HKU 40/4	HKU 50/4	HKU 63/4	HKU 80/4	HKU 100/4	HKU 125/4	HKU 160/4	HKU 200/4	HKU 250/4	HKU 320/4	HKU 400/4	HKU 500/4	HKU 630/4	HKU 800/4	HKU 1000/4	
Displacement [cm ³ /rev]	39,6	49,5	65,6	79,2	99,0	123,8	158,4	198	247,5	316,8	396	495	618,7	793	990	
Rated Flow* [l/min]	4	5	6	8	10	13	16	20	25	32	40	50	63	80		
Rated Pressure [bar]	160												140		100	
Max. Cont. Pressure in Line T - P _T [bar]	25															
Max. Torque at Servoamplifying [Nm]	6 (by P _{T,max})															
Max. Torque w/o Servoamplifying [Nm]	120															
Weight, avg. [kg]	5,3	5,4	5,5	5,6	5,7	5,8	6,0	6,3	6,5	7,0	7,4	8,0	8,7	9,6	10,6	
Dimension A [mm]	130,8	132,2	133,9	136,2	138,8	142,2	146,8	152,2	158,8	168,2	178,8	192	209,3	232,2	258,6	

* Rated Flow at 100 RPM.

DIMENSIONS AND MOUNTING DATA



The ports are shown in the Table of page 7.

